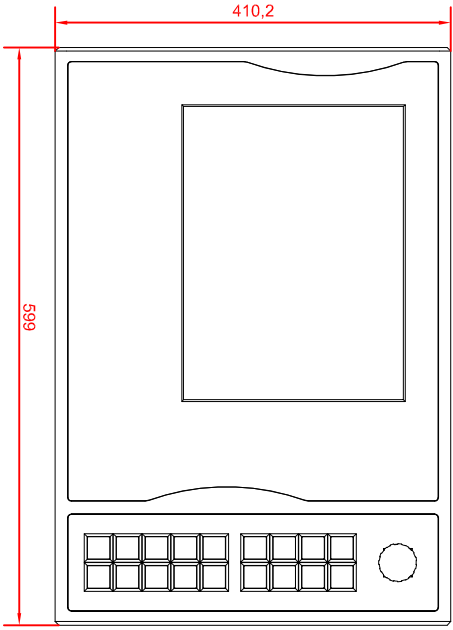
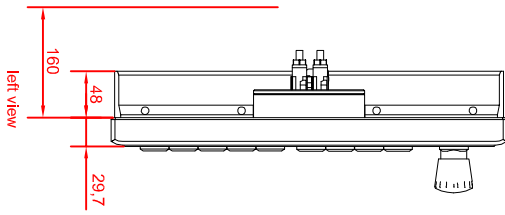


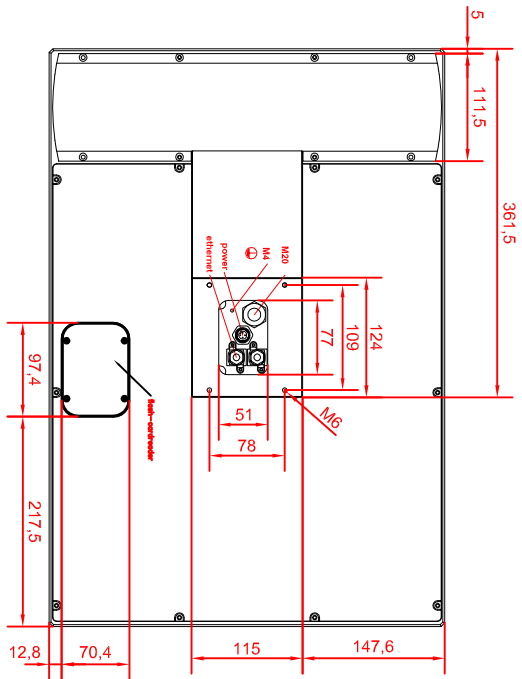
bottom view



front view



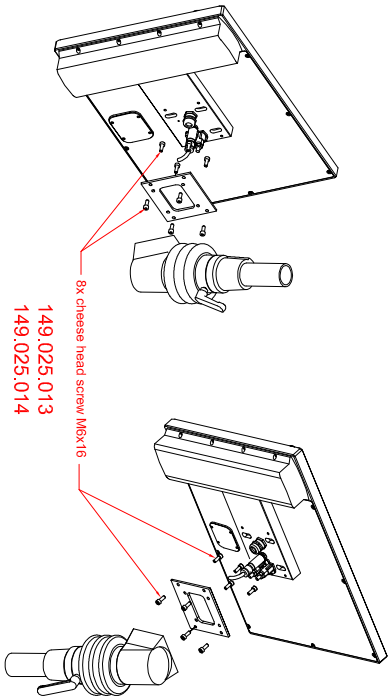
left view



rear view

CP7732-001-E878
 arm adapter for
 Rolec - Tara - suspension adaption
 146.025.019

main dimensions and
 fixing points
 dimensions in mm



149.025.013
 149.025.014

fix cheese head screw M6x16