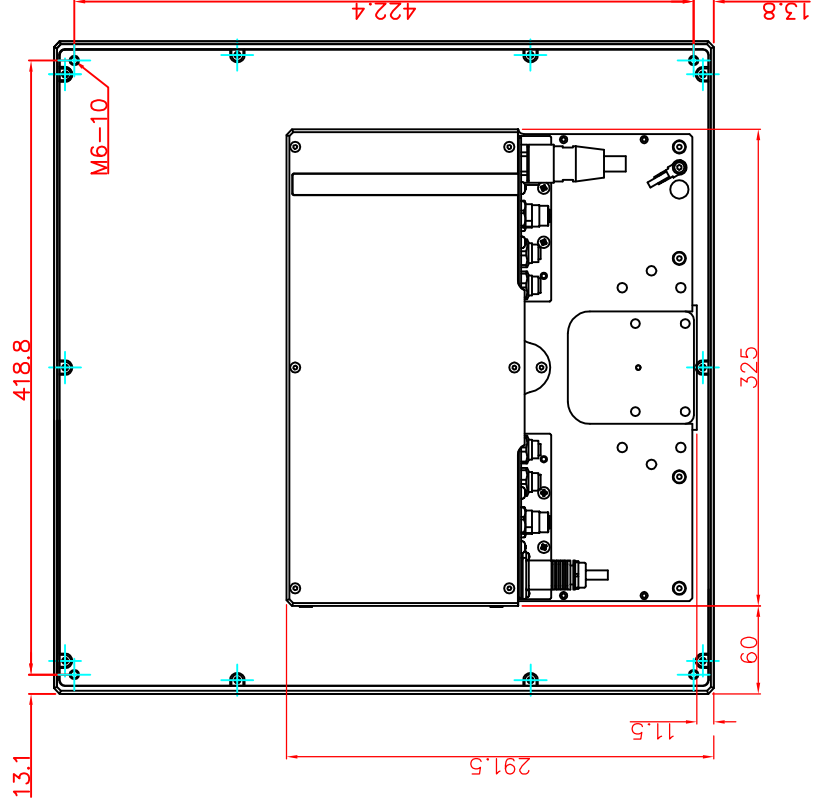
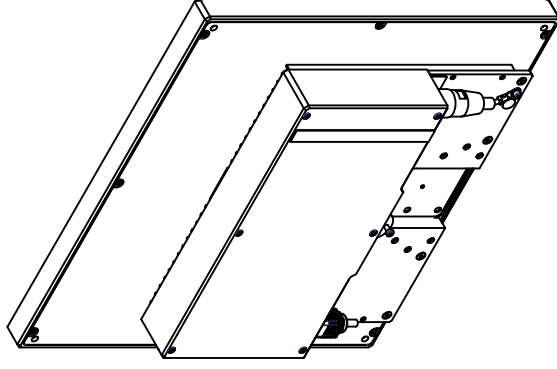


bottom view



rear view

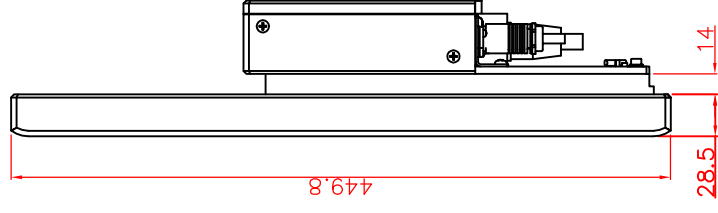
dimensions in mm



CP7242-0000-M164

main dimensions and fixing points

dimensions in mm



right view