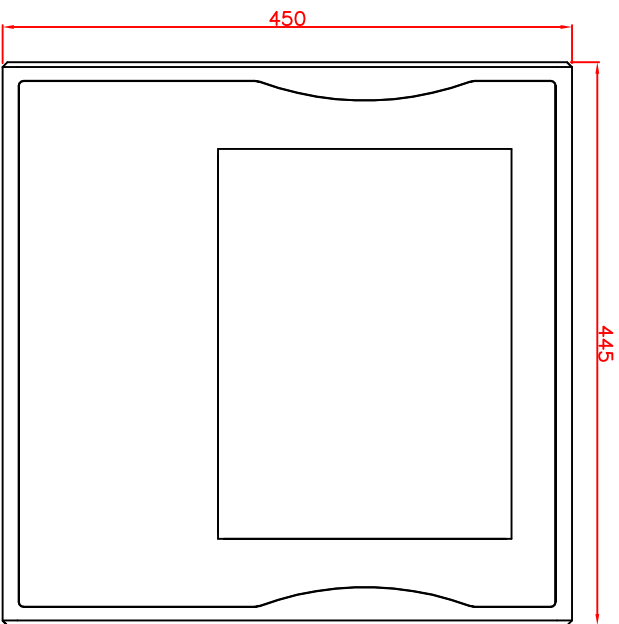
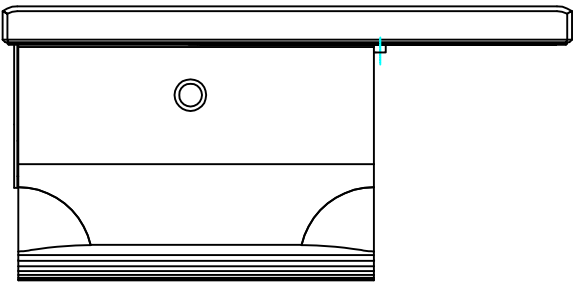
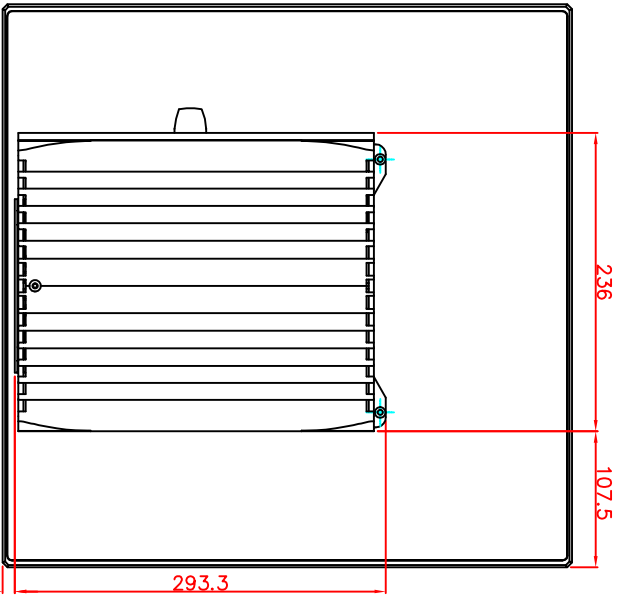
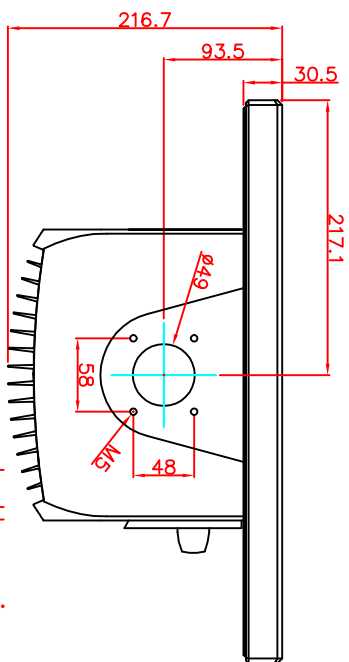
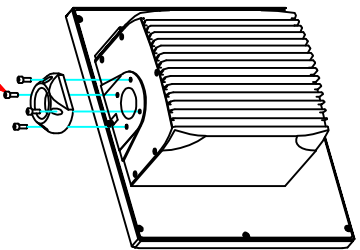


CP7142-0000-M150  
mounting arm adapter  
for Roloc Tara-48-60  
146.025.016

main dimensions and fixing  
points

dimensions in mm

4x Cheese head screw M5x20



rear view

right view

front view