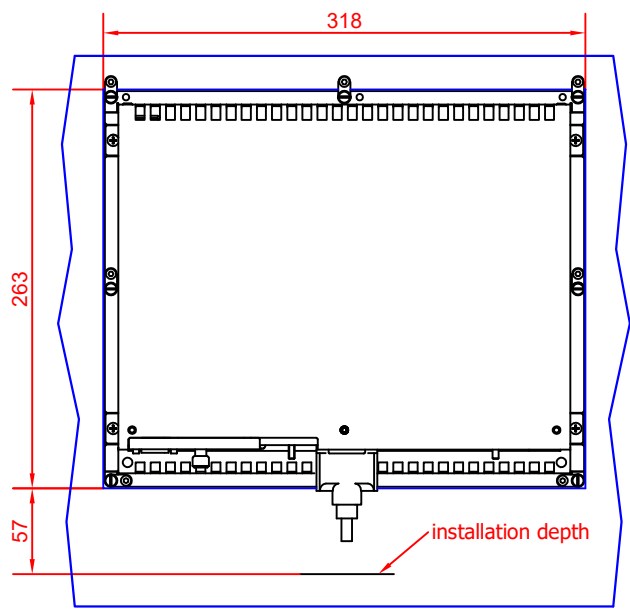
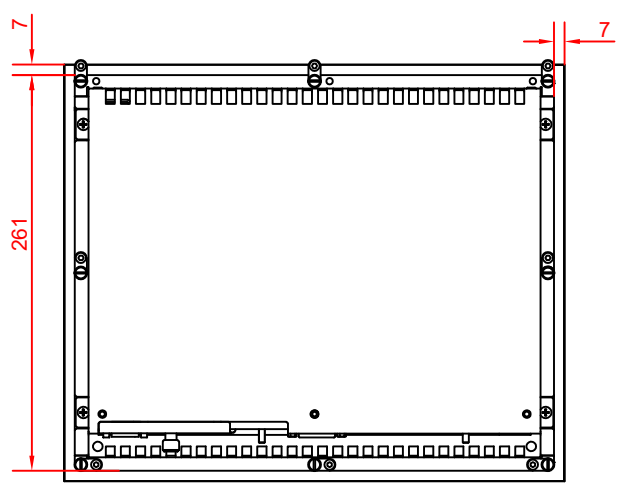


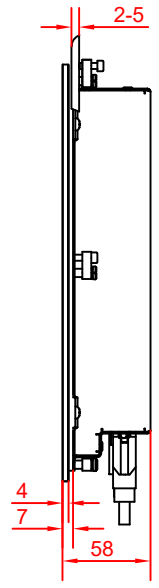
CP6601-0001
main dimensions an
fixing points
main dimensions



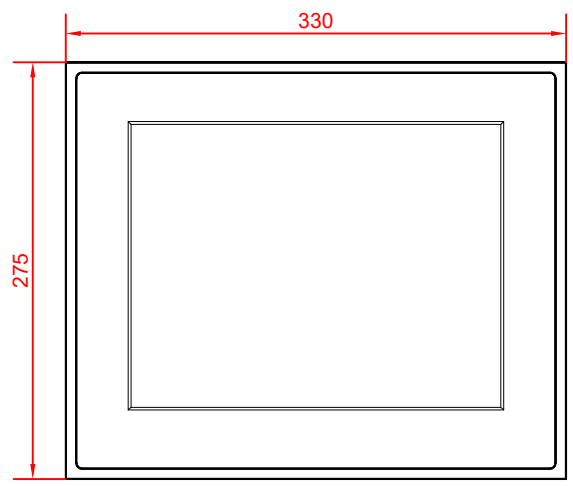
cut out dimension: 263mm x 318mm
rear view



rear view



side view



front view

