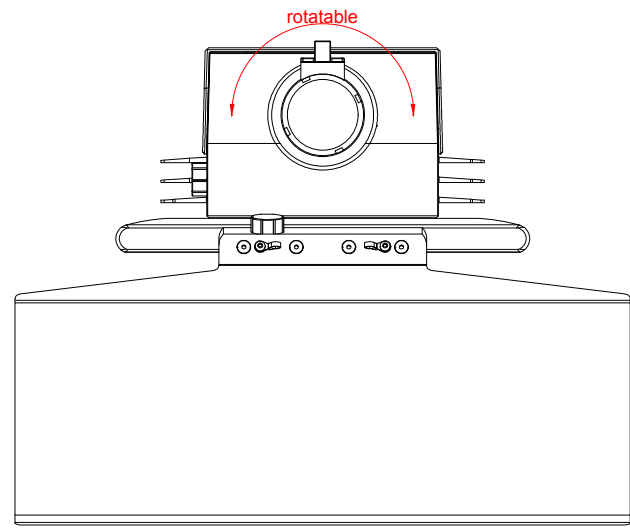


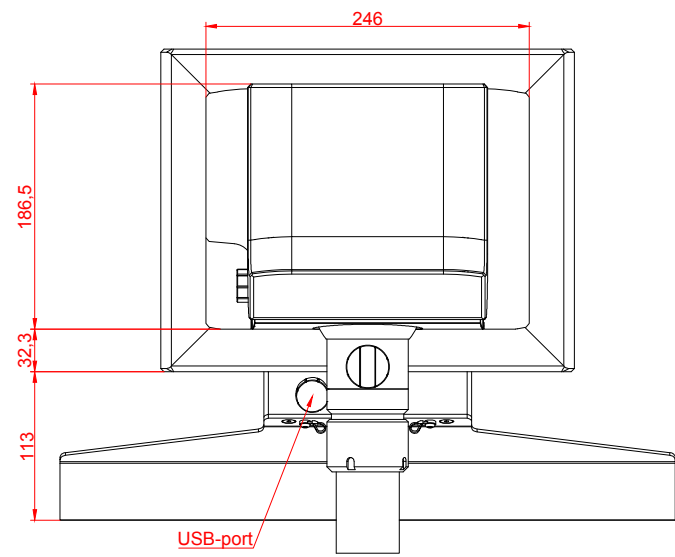
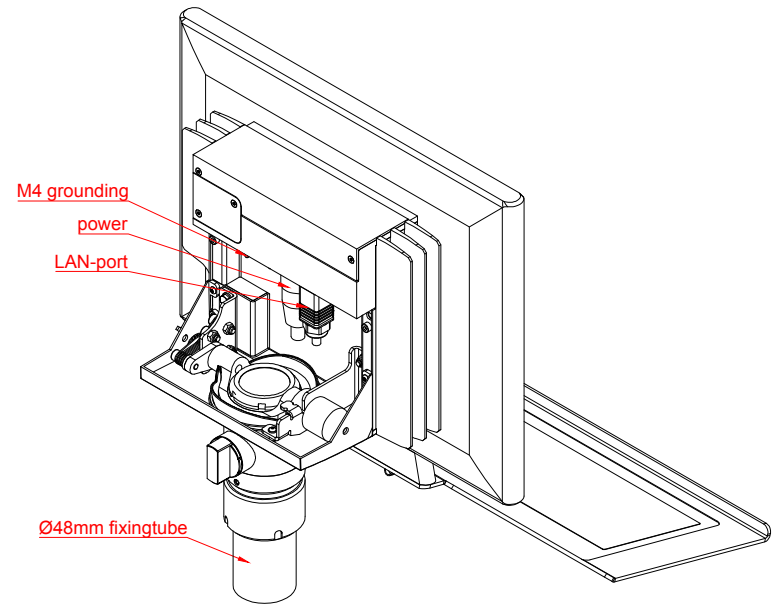
# CP3712-M184-E274-M406

main dimensions and  
fixing points

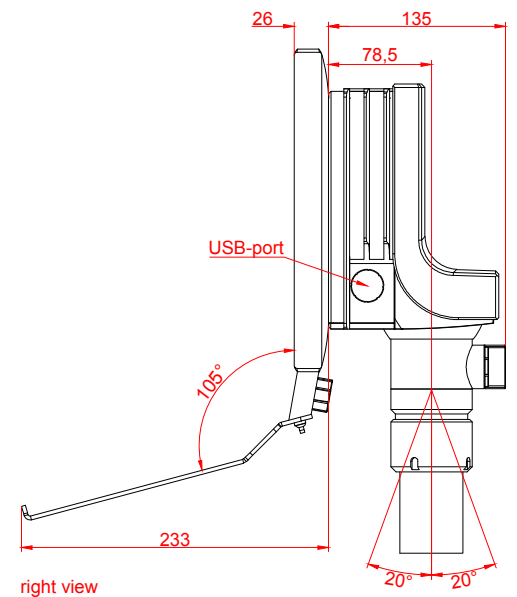
dimensions in mm



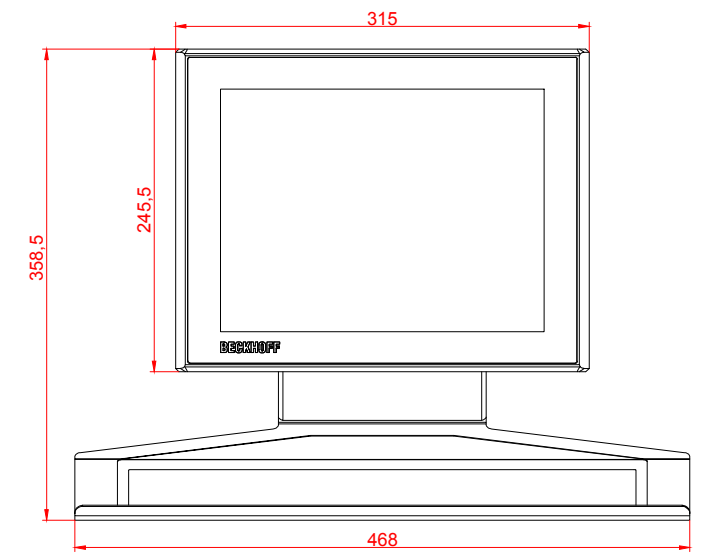
bottom view



rear view



right view



front view