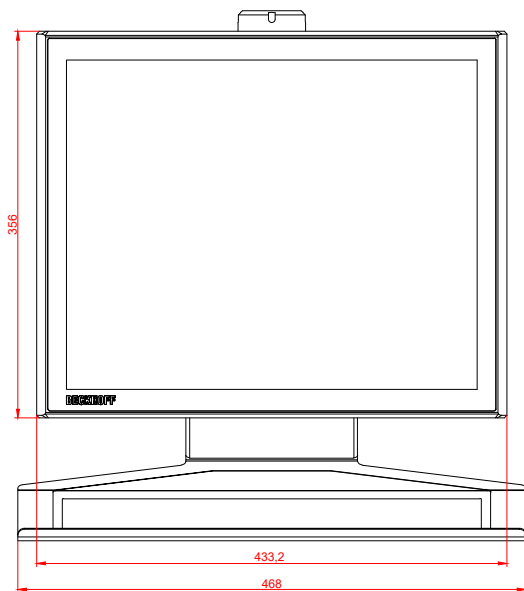


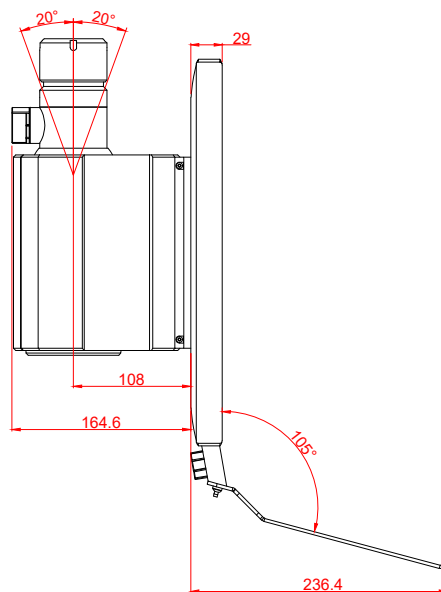
CP3219-M406

main dimensions and
fixing points

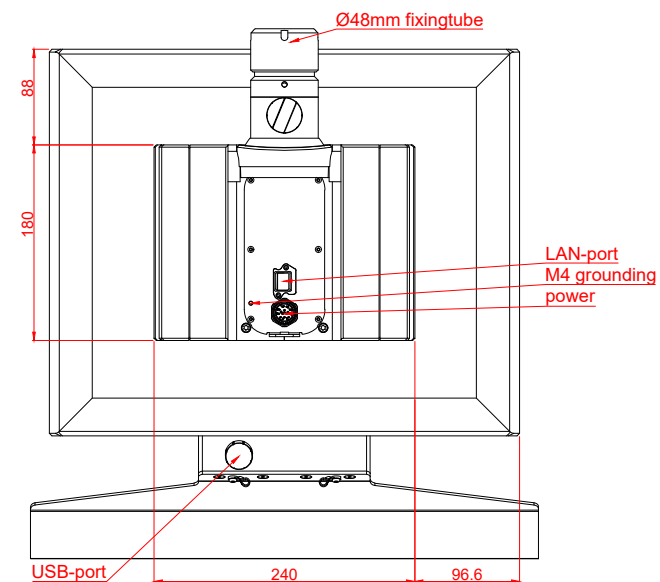
dimensions in mm



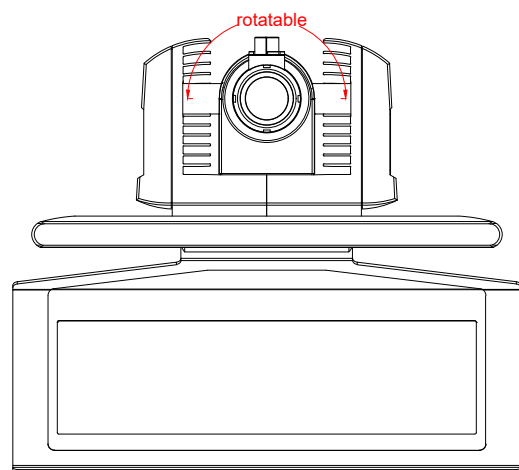
front view



side view



rear view



top view

