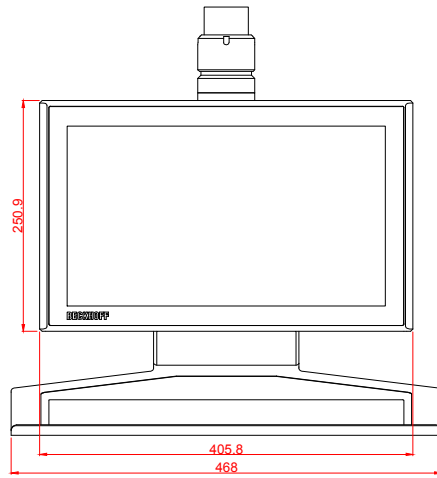


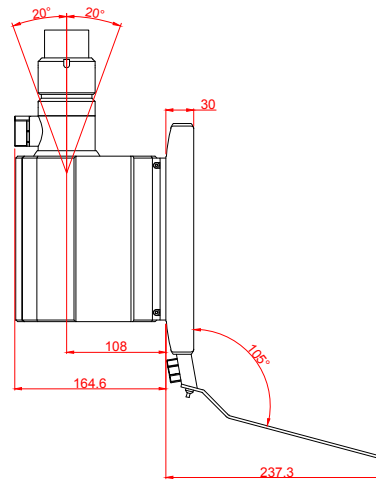
CP3216-M406

main dimensions and
fixing points

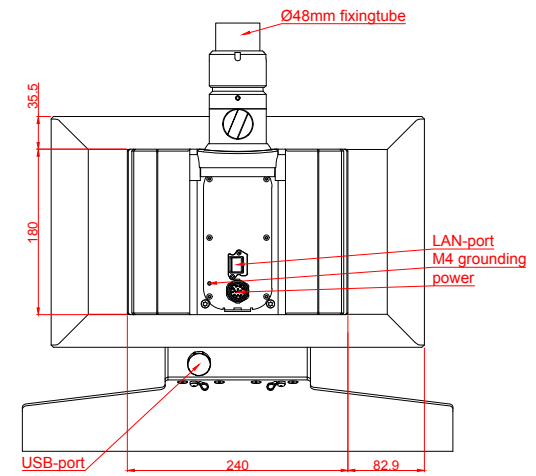
dimensions in mm



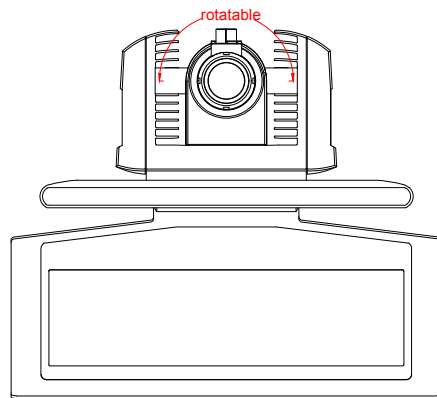
front view



left view



rear view



top view

