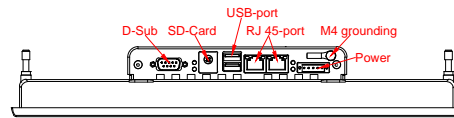
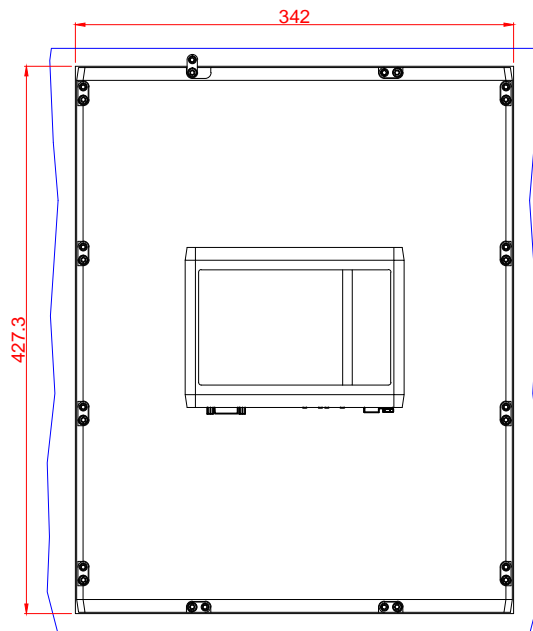


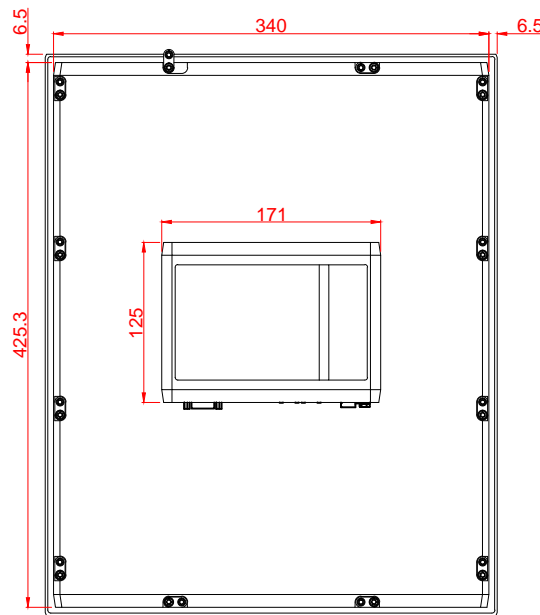
CP2619-M575
main dimensions and
fixing points
dimensions in mm



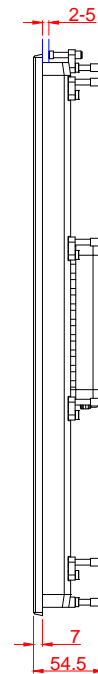
bottom view



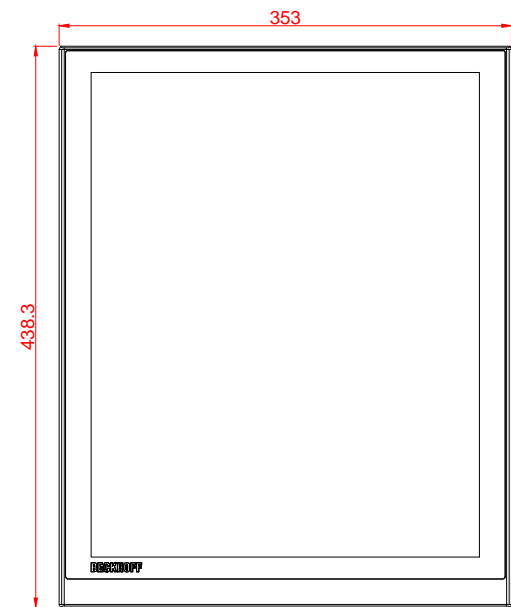
cut out dimensions: 427,3mm x 342mm
rear view



rear view



left view



front view