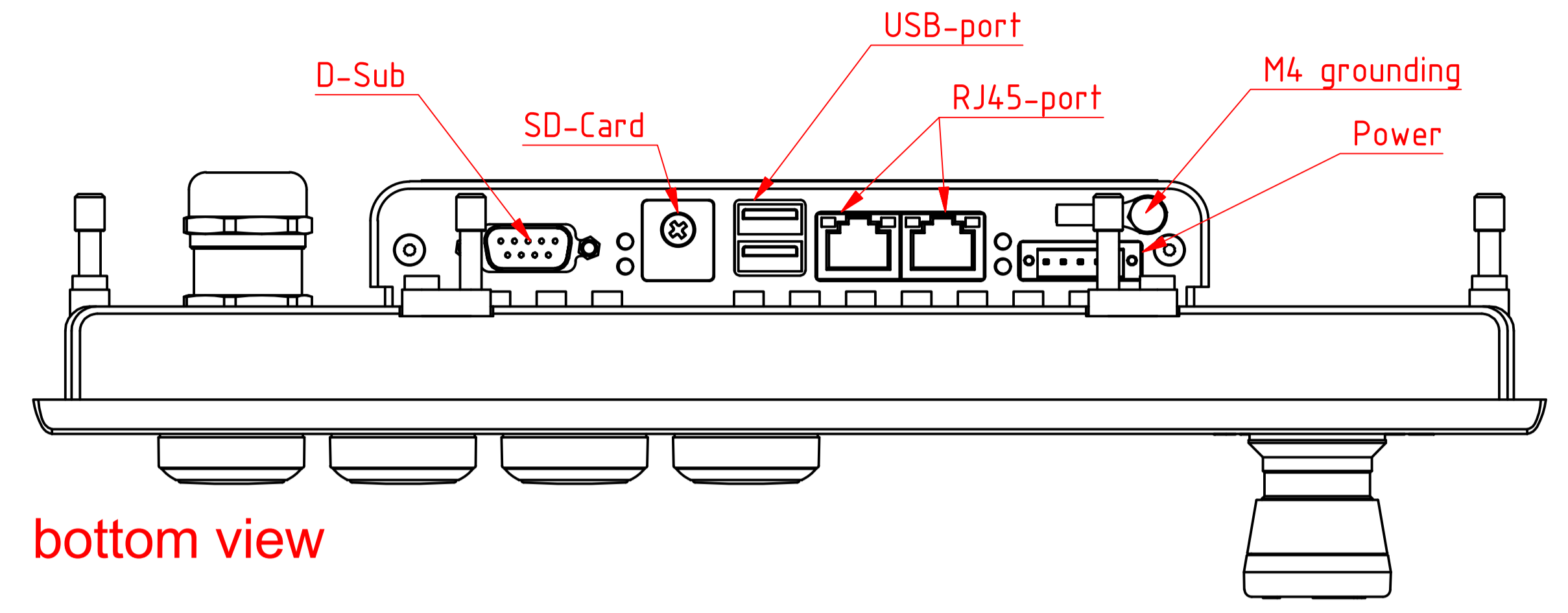
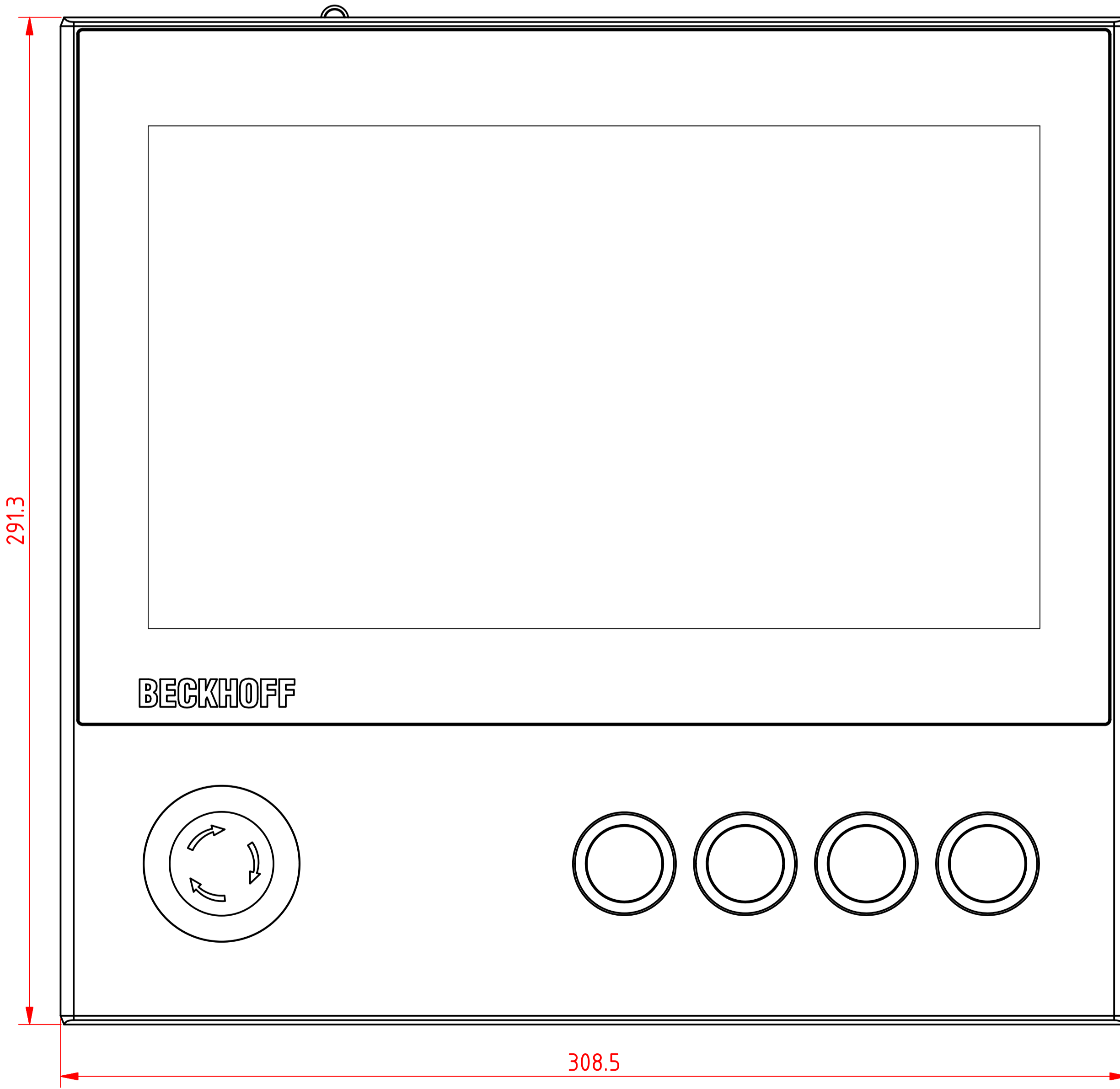


**CP2613-G009**  
main dimensions and  
fixing points

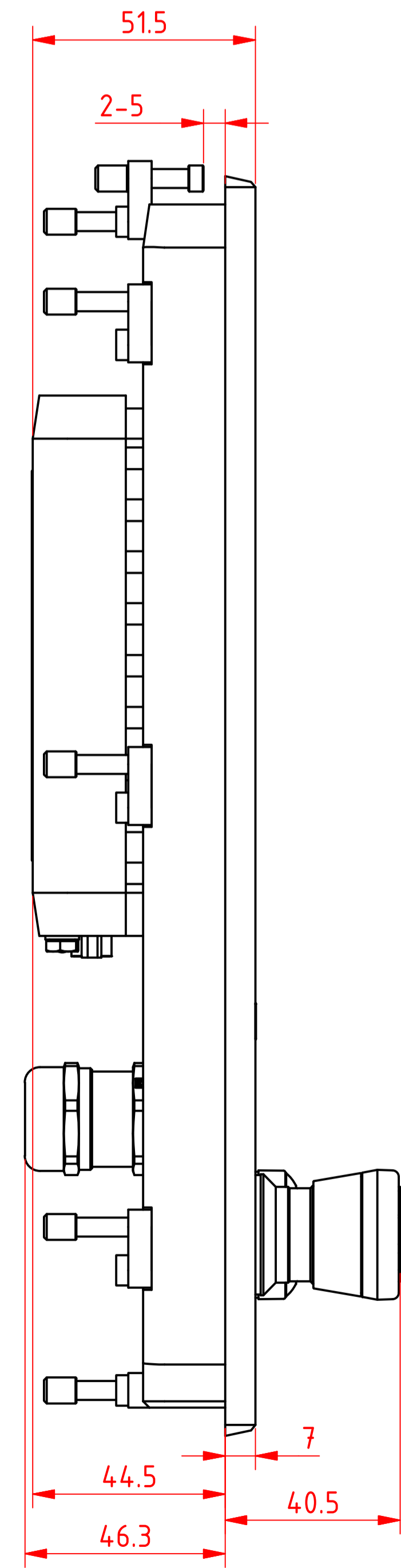
dimensions in mm



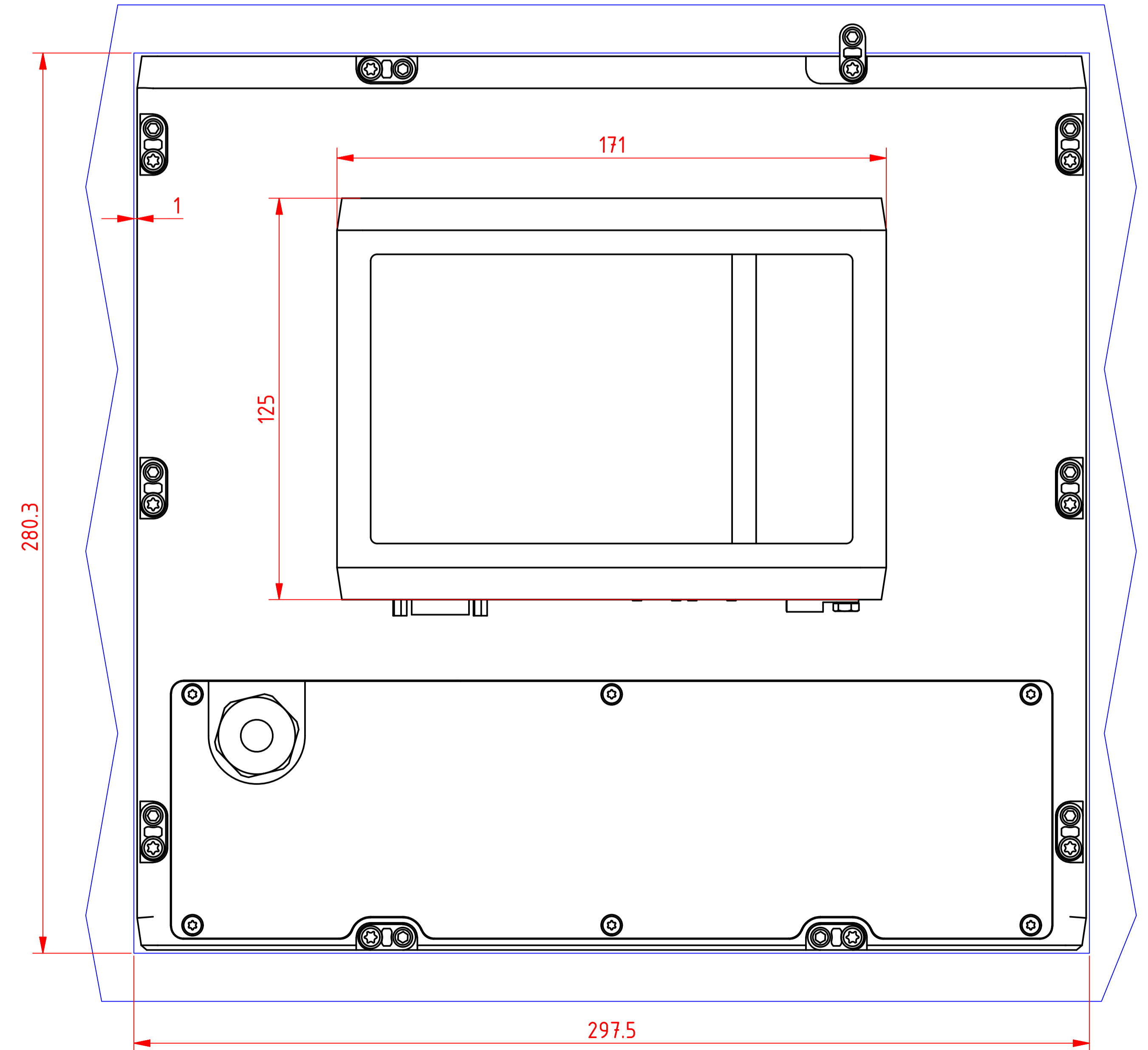
bottom view



front view



left view



cut out dimensions: 280.3 x 297.5

rear view