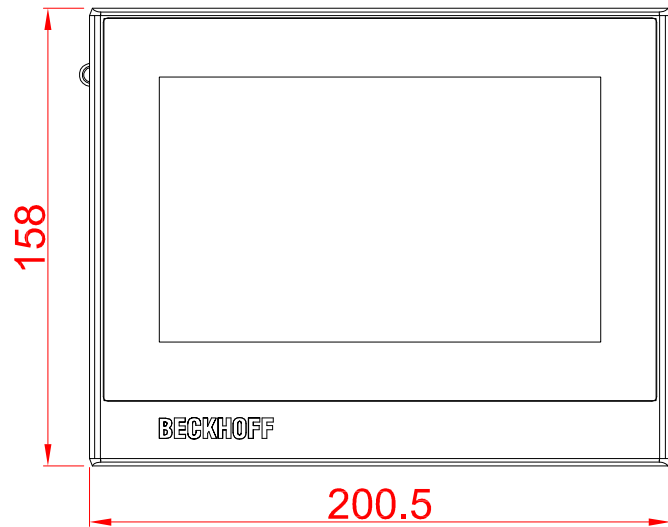


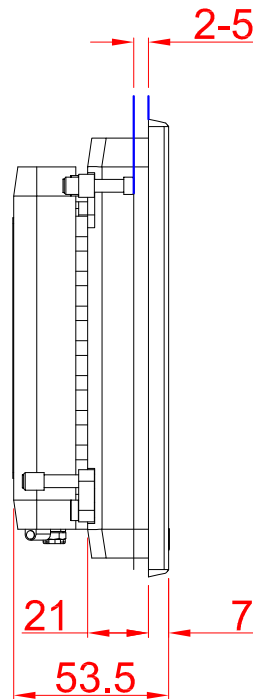
CP2607

main dimensions and
fixing points

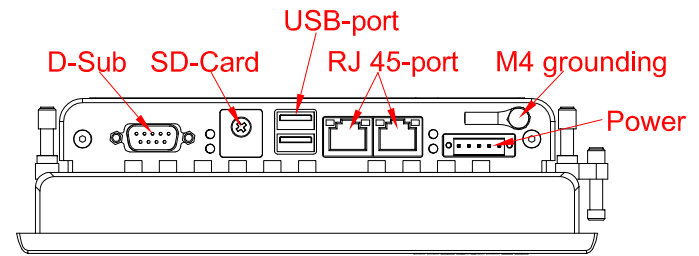
dimensions in mm



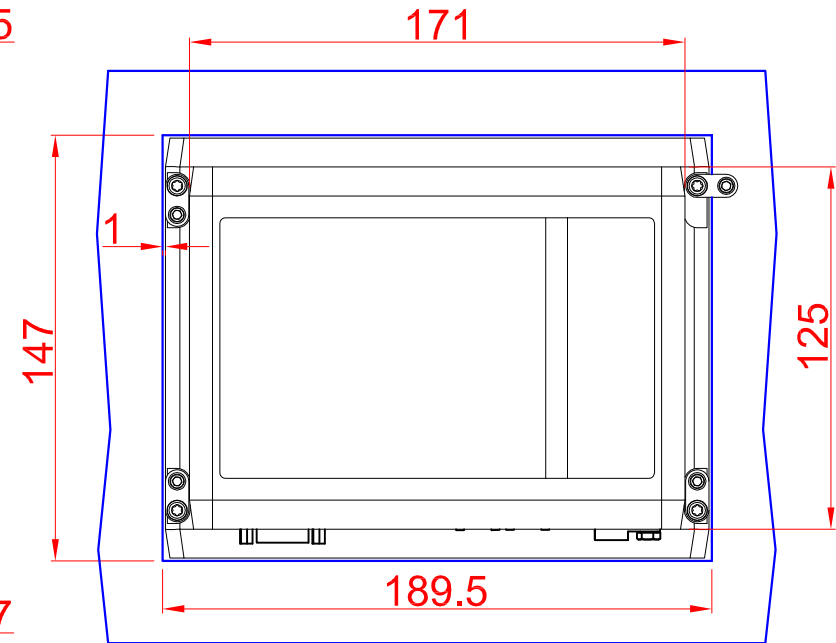
front view



left view



bottom view



cut out dimensions: 147mm x 189,5mm

rear view