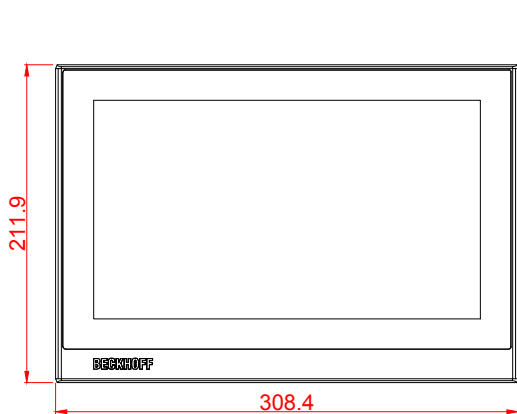
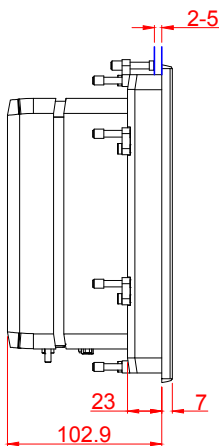


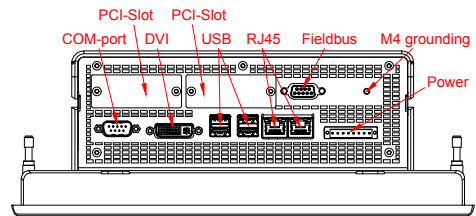
CP2211-0000  
main dimensions and  
fixing points  
dimensions in mm



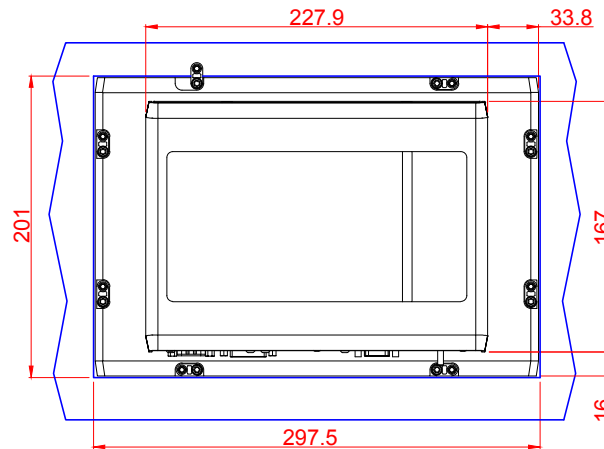
front view



left view

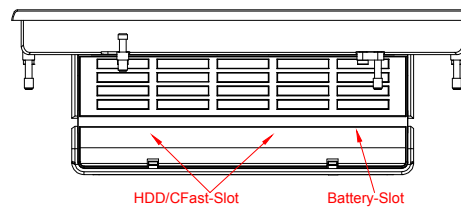


bottom view



cut out dimensions: 201mm x 297,5mm

rear view



top view