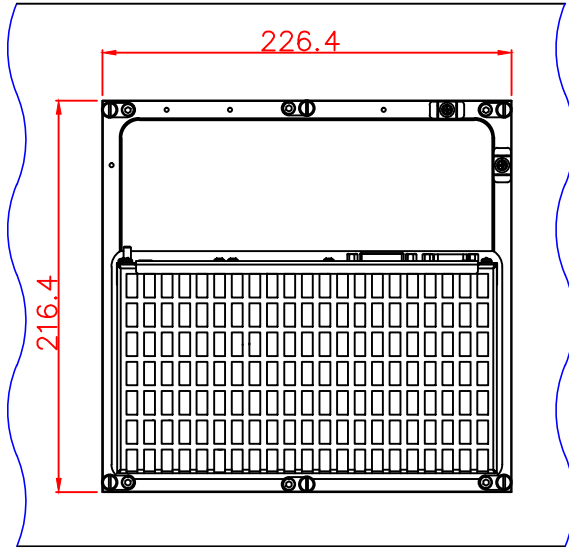
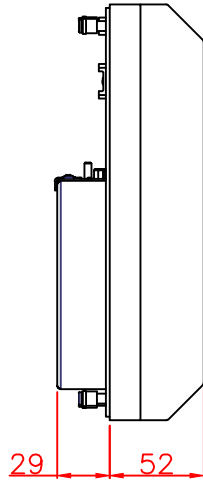


C6515

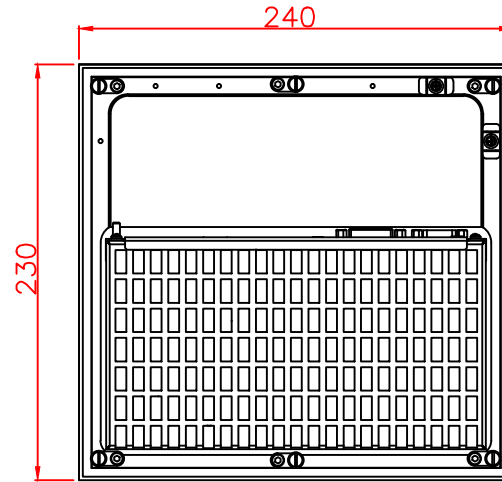
main dimensions in mm



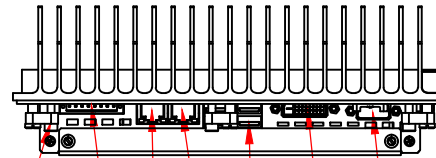
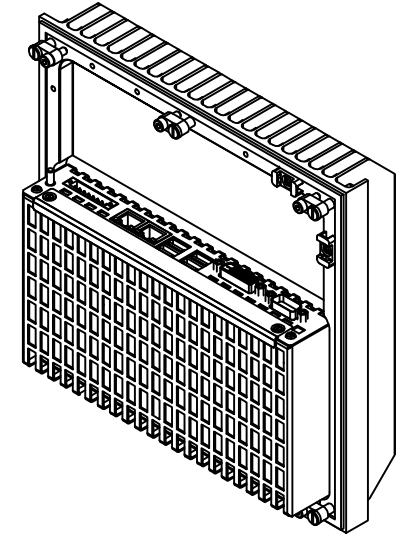
rear view
with
install measure



left view



rear view



M4 Grounding Power Lan2 Lan1 USB out DVI out COM1

top view