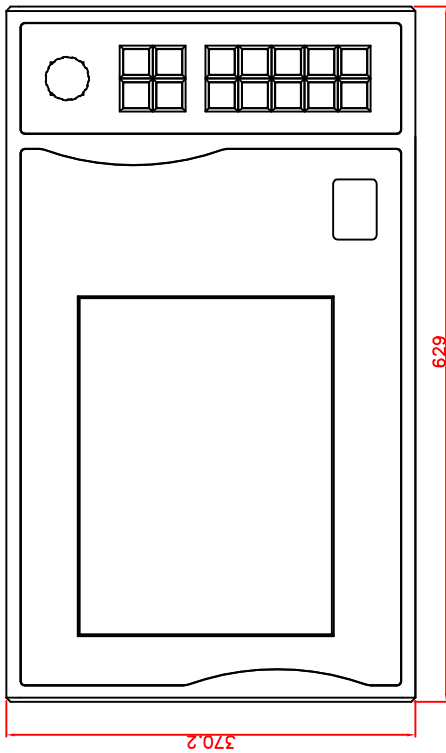
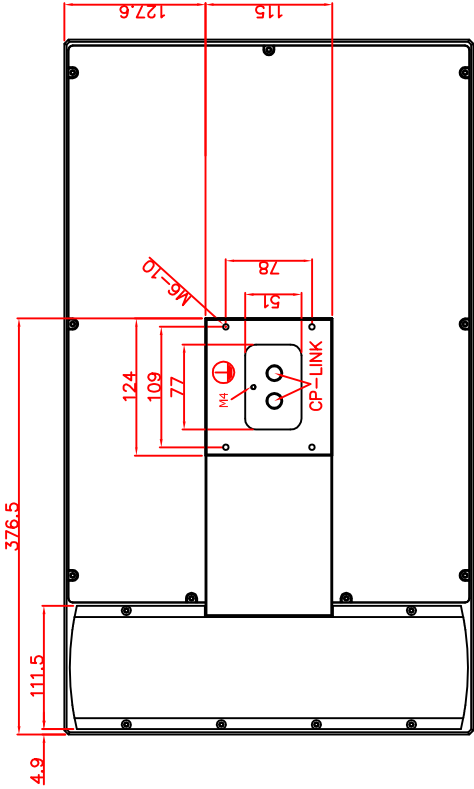


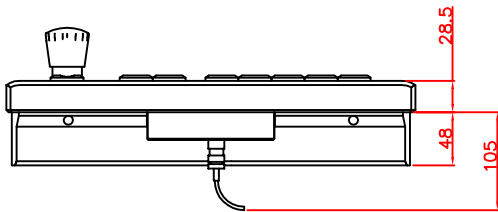
bottom view



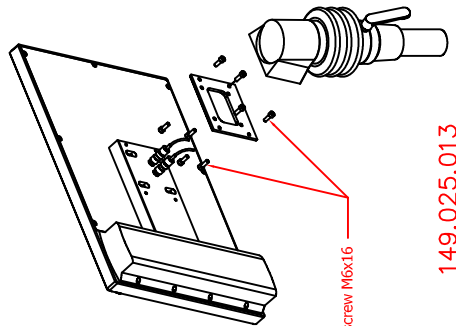
front view



rear view



left view



8x cheese head screw M6x16

CP7022-0002-E667
arm adapter for
Rolec - Tara - suspension adaption
146.025.019

main dimensions and
fixing points

dimensions in mm

149.025.013