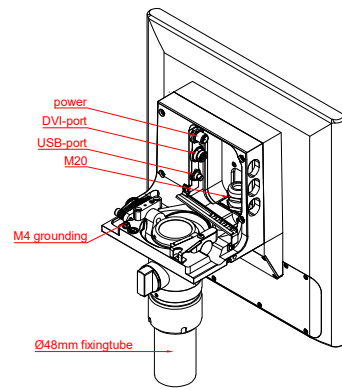
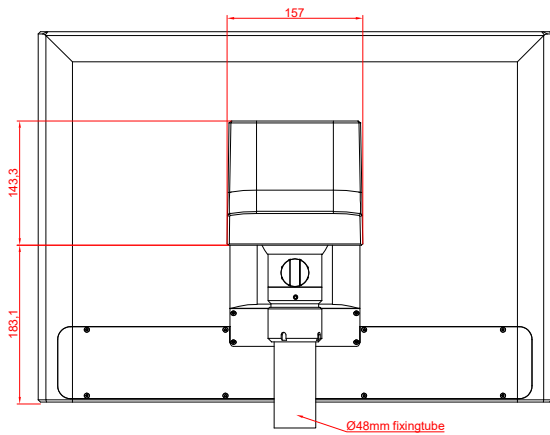


bottom view

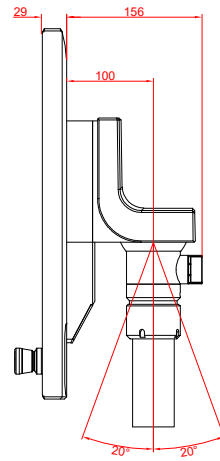


power  
DVI-port  
USB-port  
M20  
M4 grounding

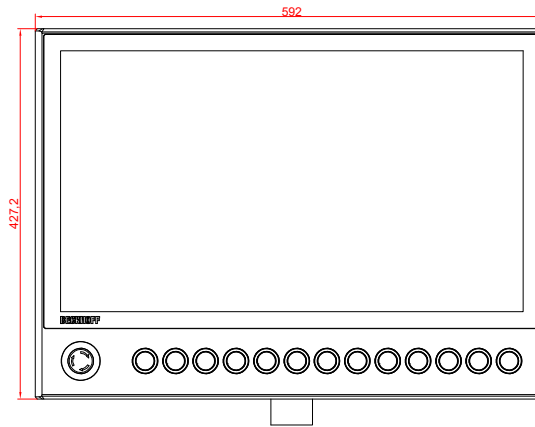
Ø48mm fixingtube



rear view



side view

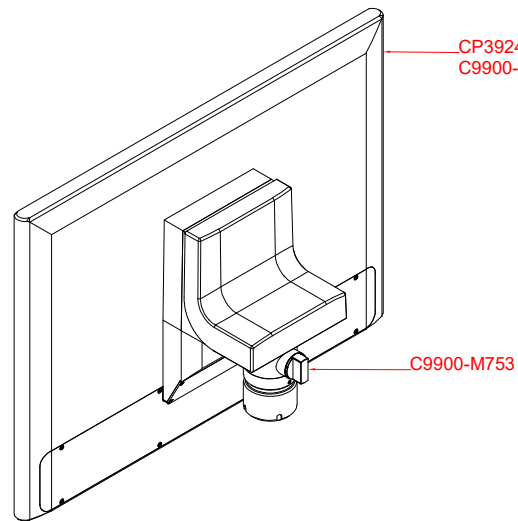


front view

CP3924-0000  
with  
C9900-G027  
C9900-M753

main dimensions and  
fixing points

dimensions in mm



CP3924-0000  
C9900-G027

C9900-M753