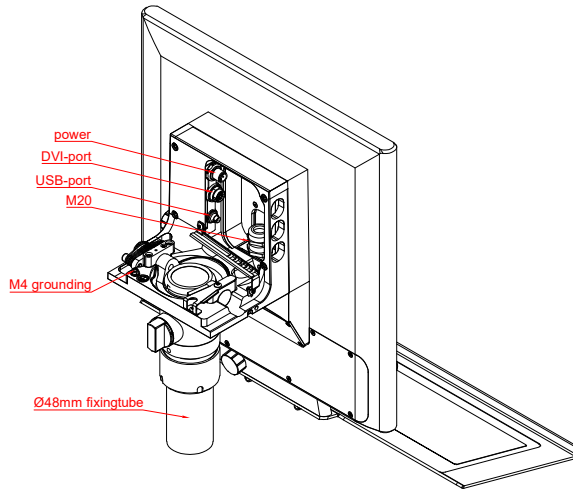
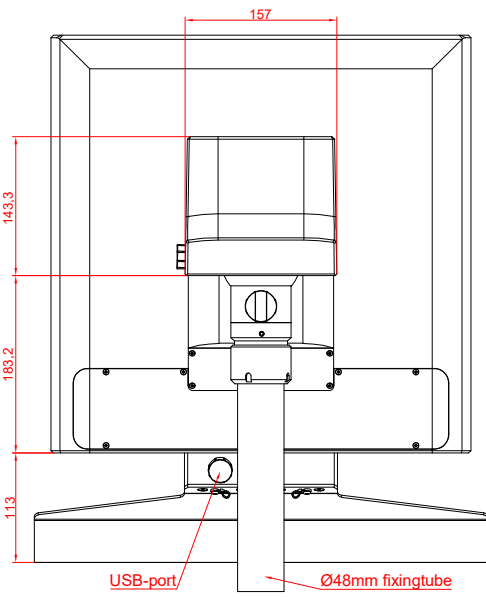


bottom view

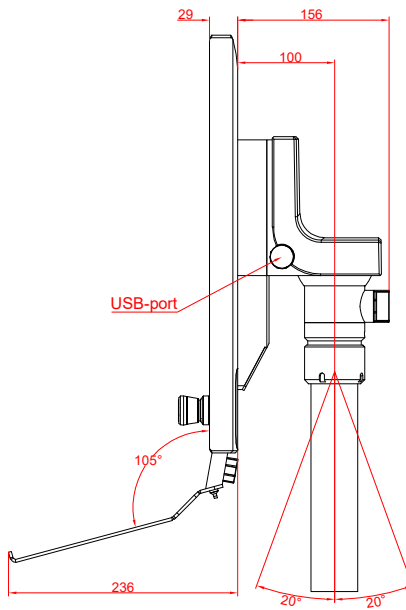


power  
DVI-port  
USB-port  
M20  
M4 grounding

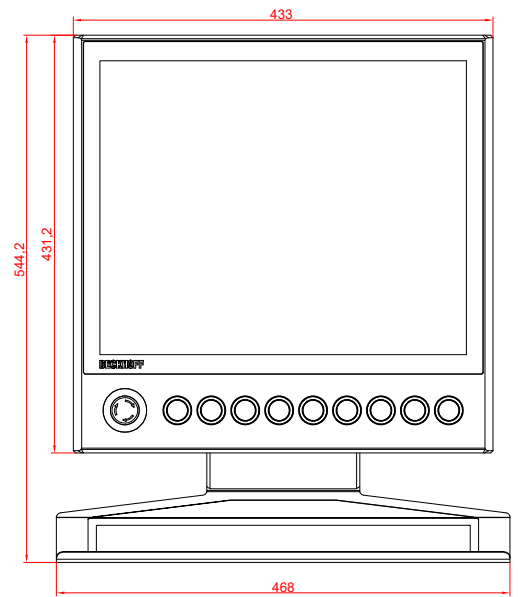
Ø48mm fixingtube



rear view



side view



front view

CP3919-0000  
with  
C9900-G026  
C9900-M753  
C9900-E274  
C9900-M406

main dimensions and  
fixing points

dimensions in mm

