

CP3918-0000  
with  
C9900-G025  
C9900-M752  
C9900-M406

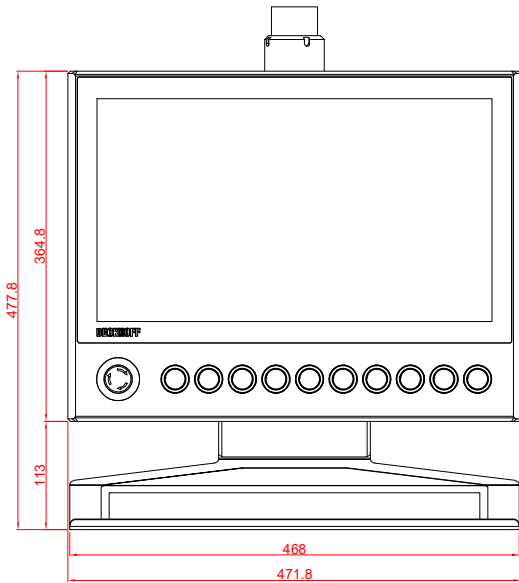
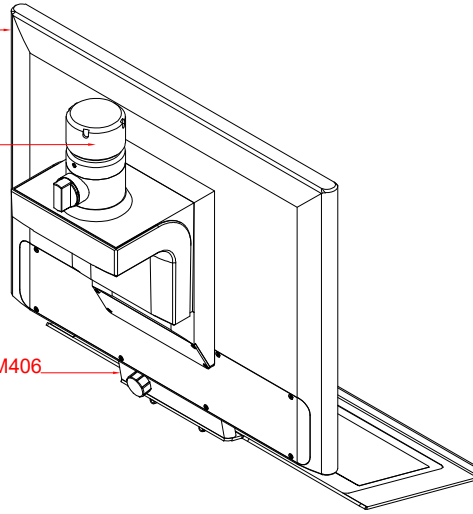
main dimensions and  
fixing points

dimensions in mm

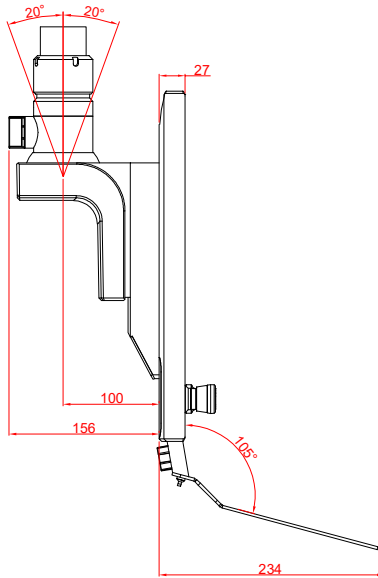
CP3918-0000  
C9900-G025

C9900-M752

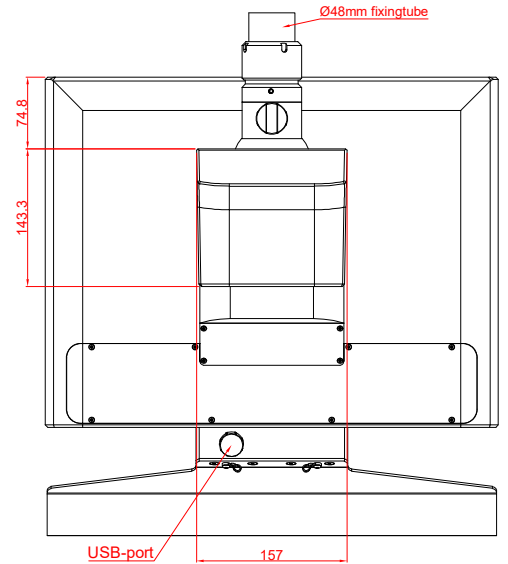
C9900-M406



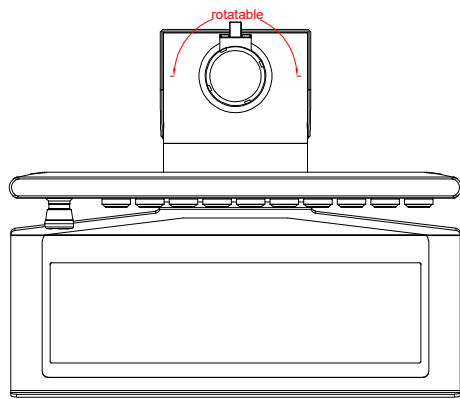
front view



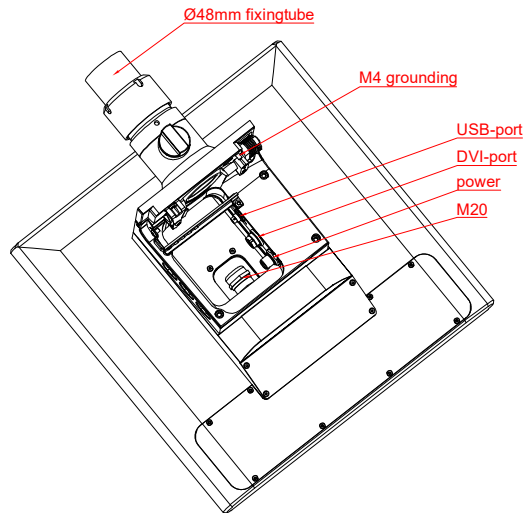
side view



rear view



top view



Ø48mm fixingtube

M4 grounding

USB-port

DVI-port

power

M20