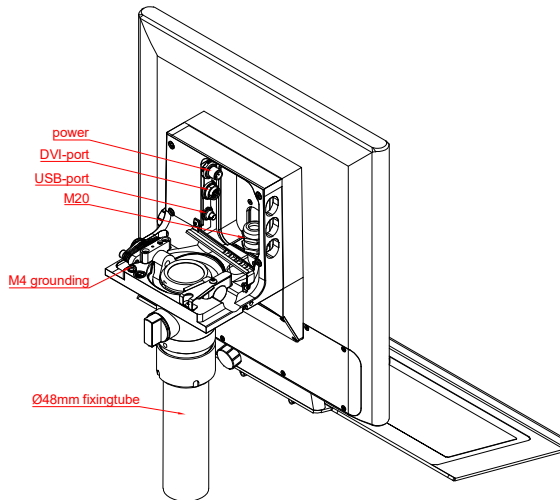
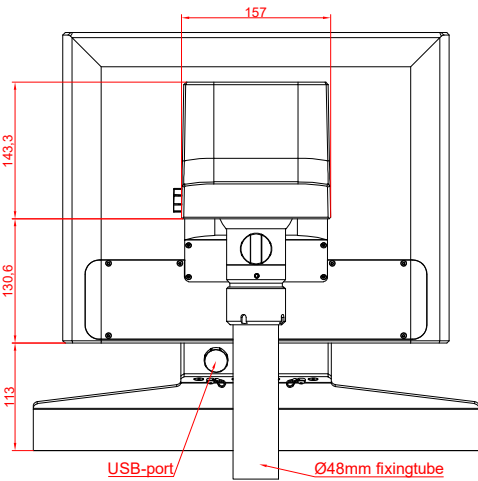


bottom view



power
DVI-port
USB-port
M20
M4 grounding

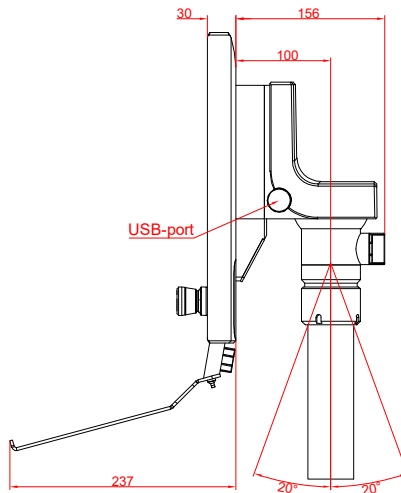
Ø48mm fixingtube



rear view

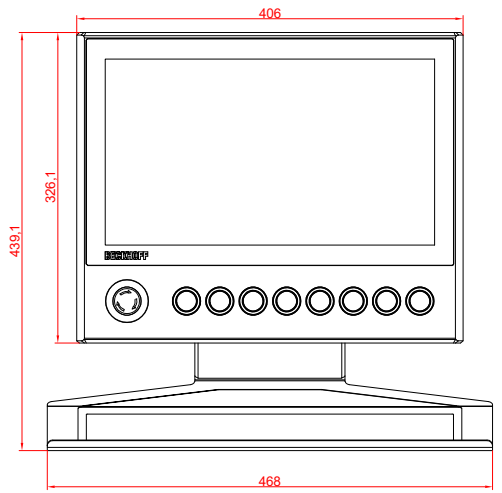
USB-port

Ø48mm fixingtube



side view

USB-port

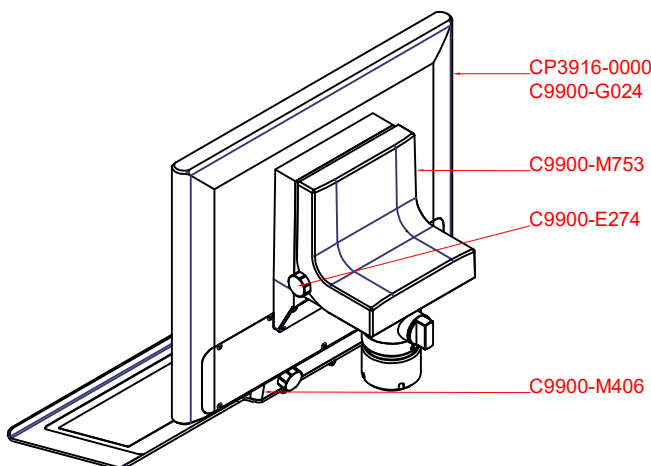


front view

CP3916-0000
with
C9900-G024
C9900-M753
C9900-E274
C9900-M406

main dimensions and
fixing points

dimensions in mm



CP3916-0000
C9900-G024

C9900-M753

C9900-E274

C9900-M406