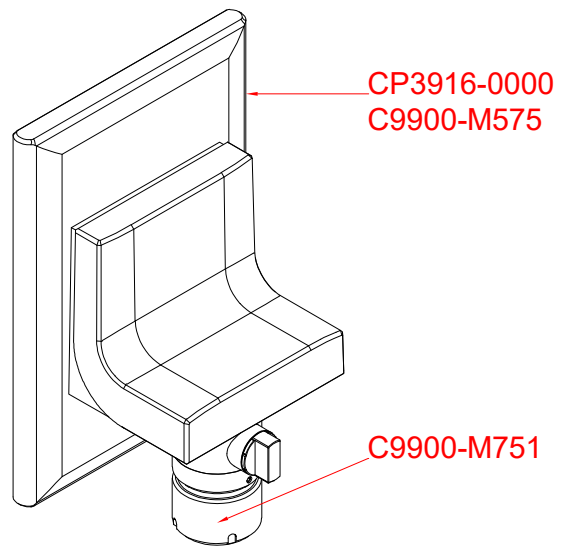
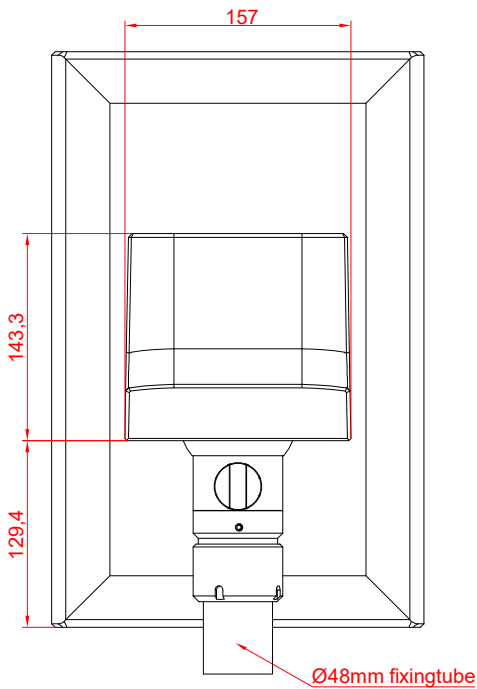


bottom view

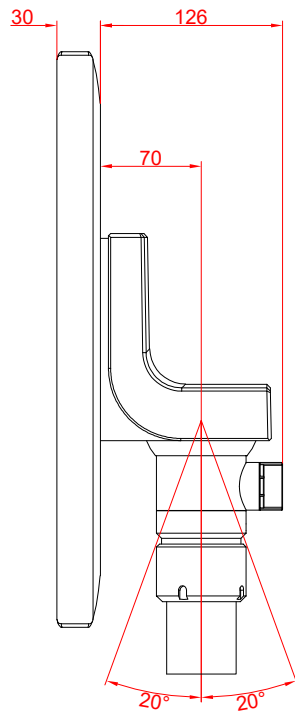


CP3916-0000
C9900-M575

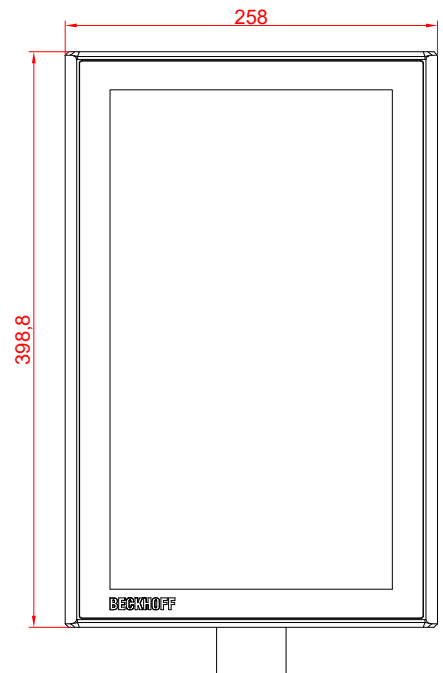
C9900-M751



rear view



side view

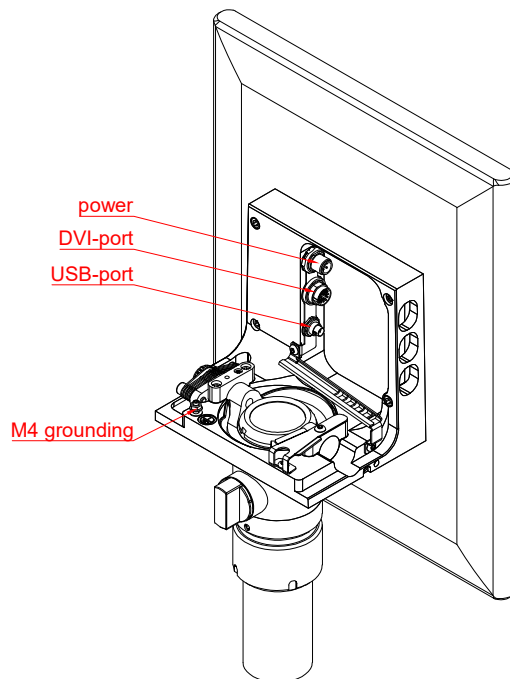


front view

CP3916-0000
with
C9900-M575
C9900-M751

main dimensions and
fixing points

dimensions in mm



power

DVI-port

USB-port

M4 grounding