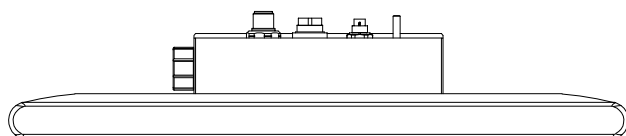


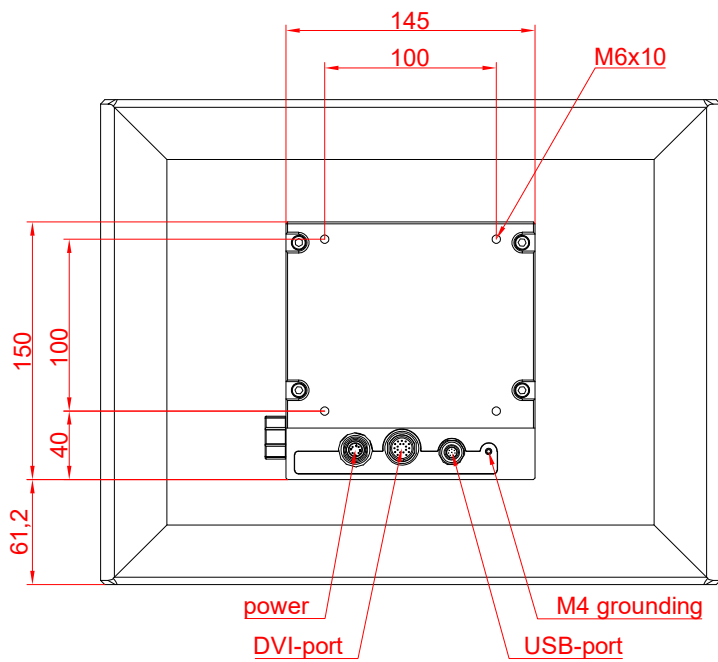
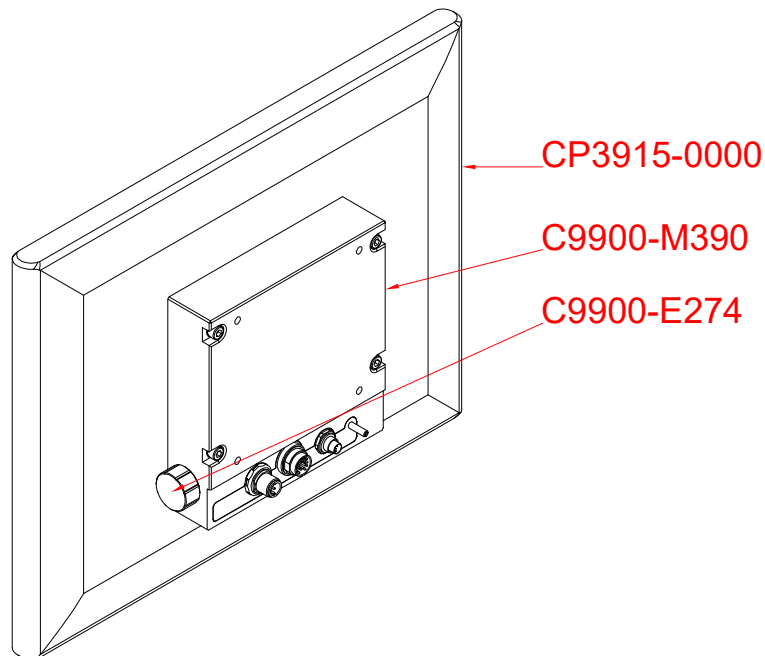
CP3915-0000
with
C9900-M390
C9900-E274

main dimensions and
fixing points

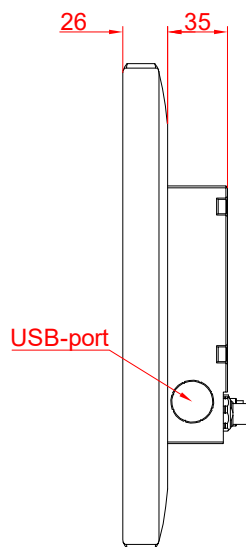
dimensions in mm



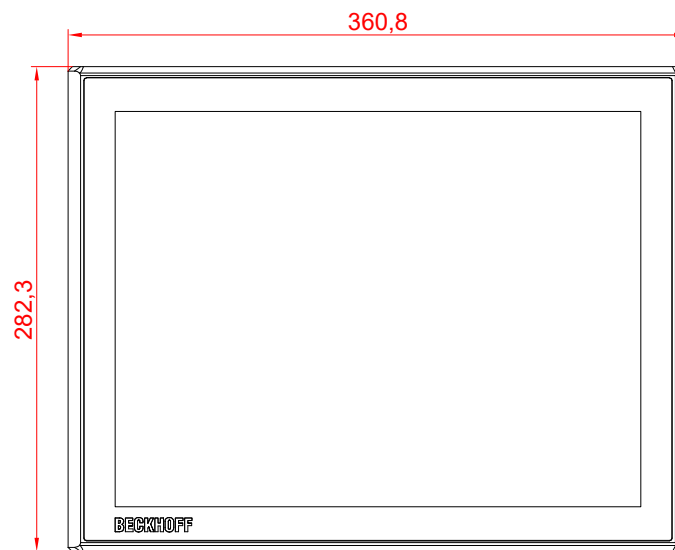
bottom view



rear view



side view



front view