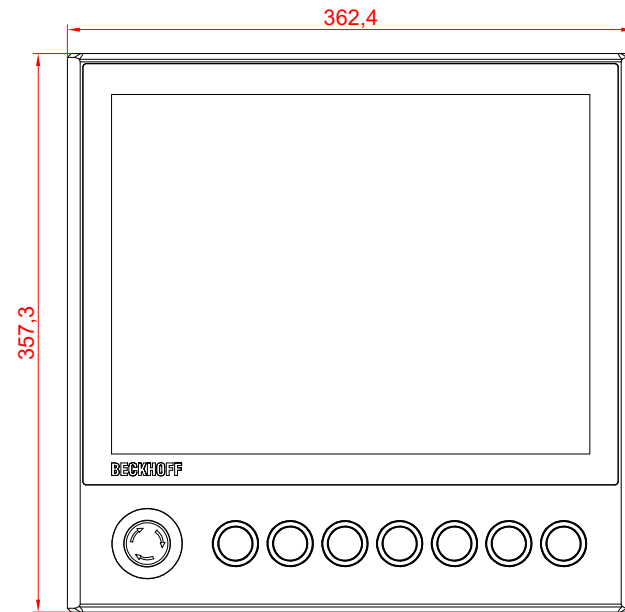
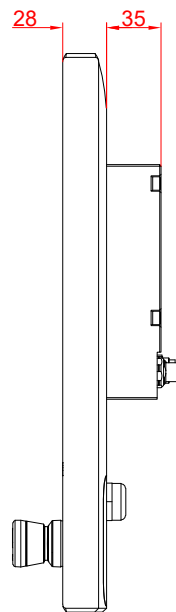
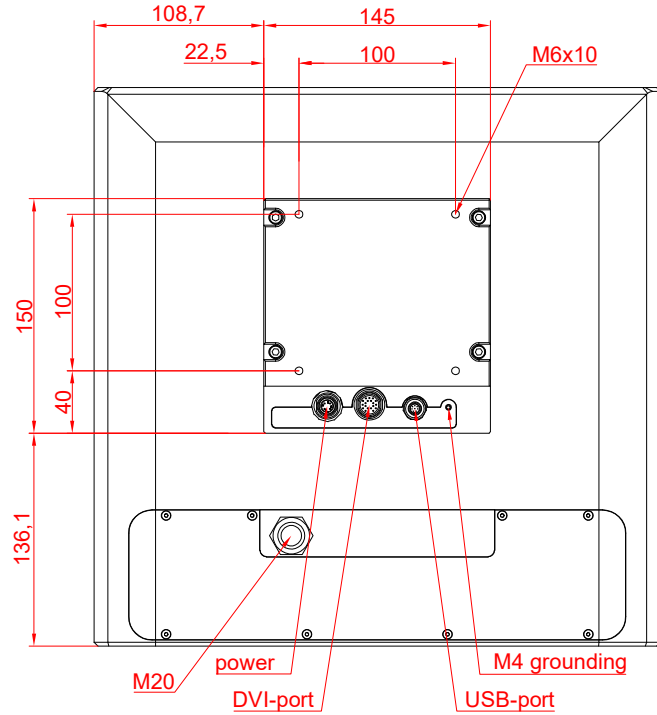
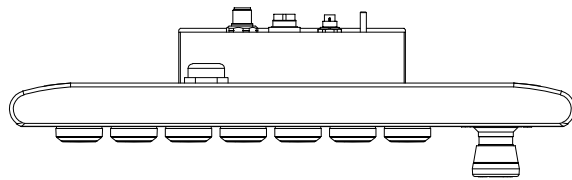
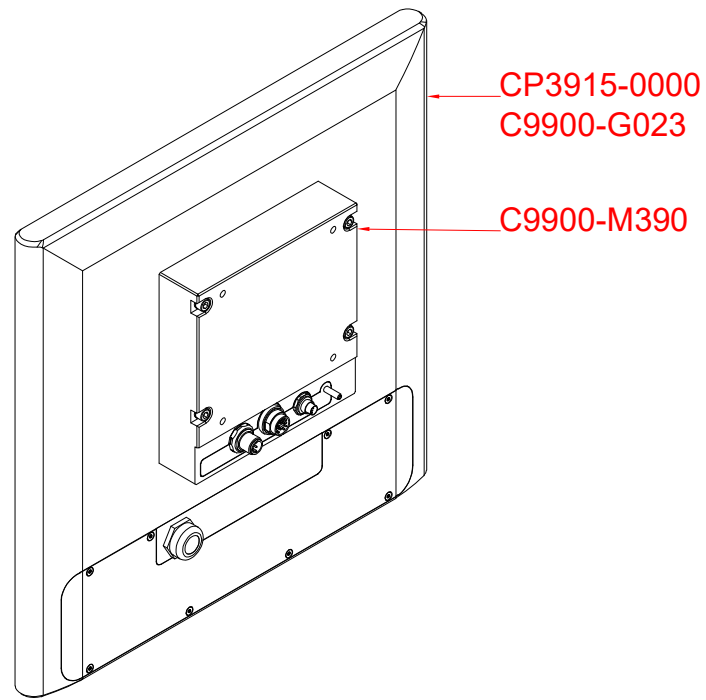


CP3915-0000
with
C9900-G023
C9900-M390

main dimensions and
fixing points

dimensions in mm



rear view

side view

front view