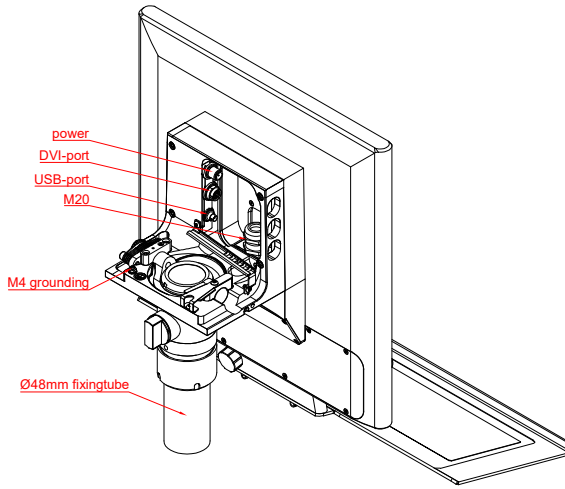
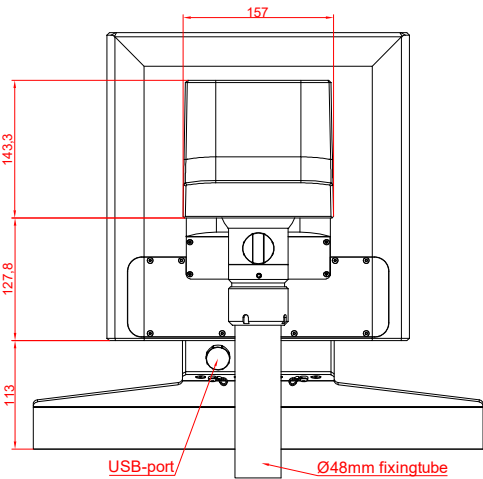


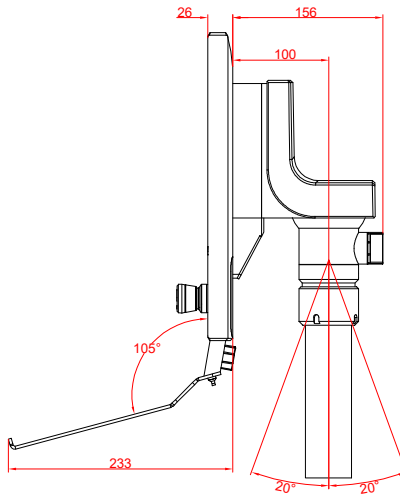
bottom view



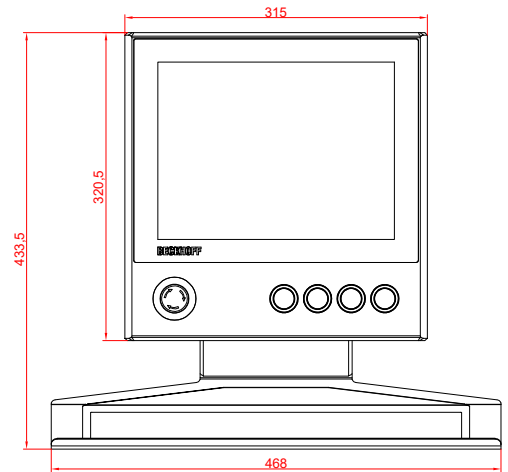
- power
- DVI-port
- USB-port
- M20
- M4 grounding
- Ø48mm fixingtube



rear view



side view



front view

CP3912-0000  
with  
C9900-G022  
C9900-M753  
C9900-M406

main dimensions and  
fixing points

dimensions in mm

