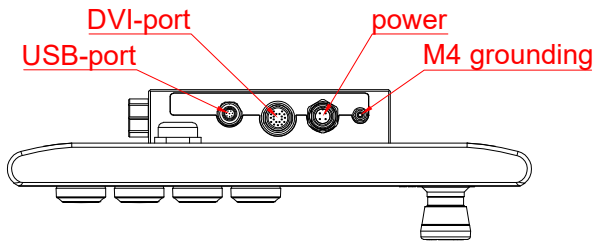


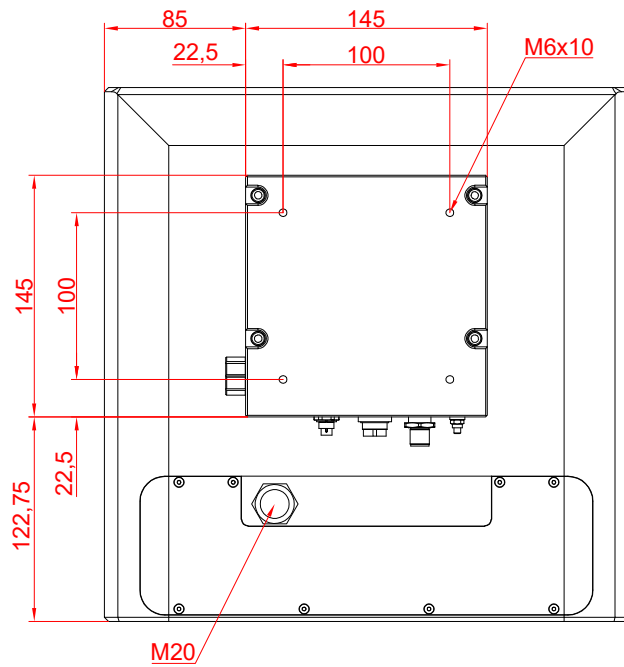
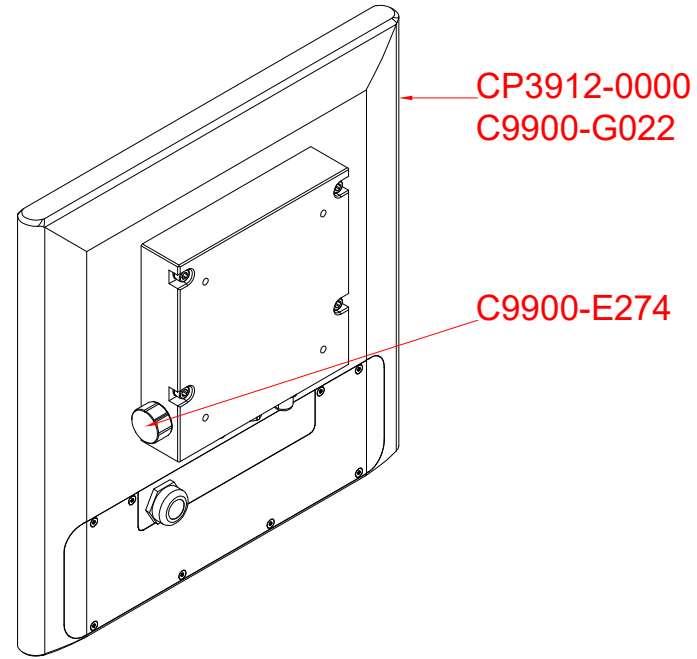
CP3912-0000
with
C9900-G022
C9900-E274

main dimensions and
fixing points

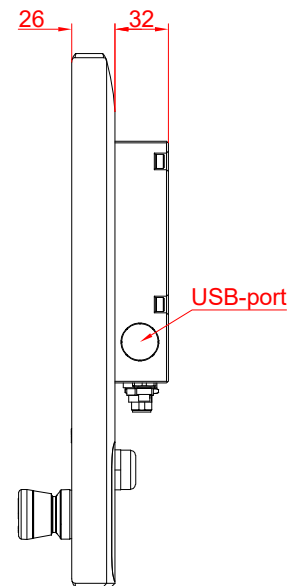
dimensions in mm



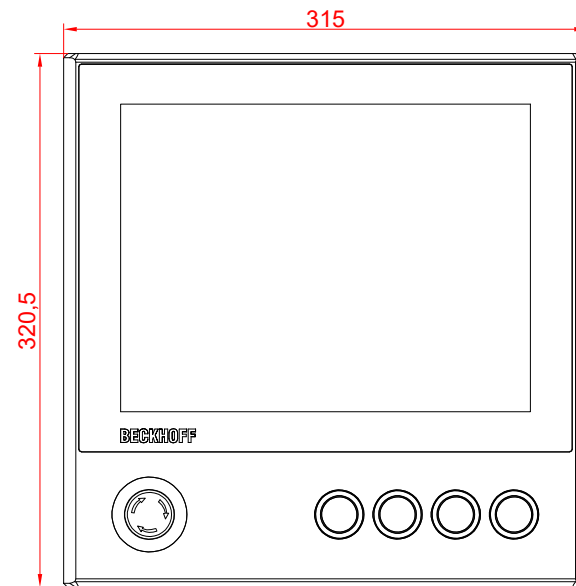
bottom view



rear view



side view



front view