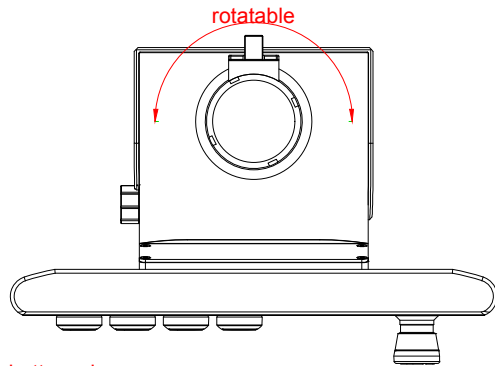


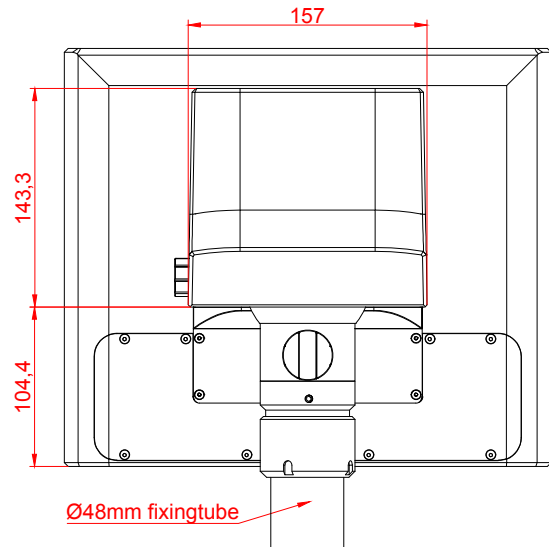
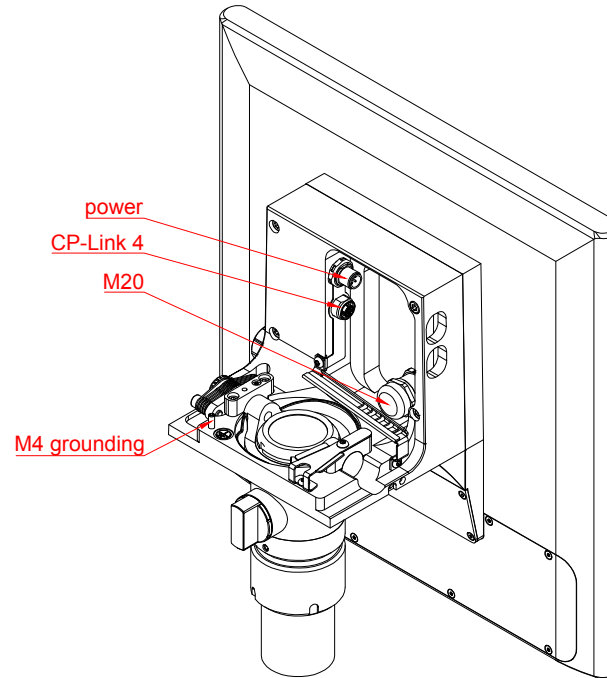
CP3911-G021-0010-M753-E274

main dimensions and  
fixing points

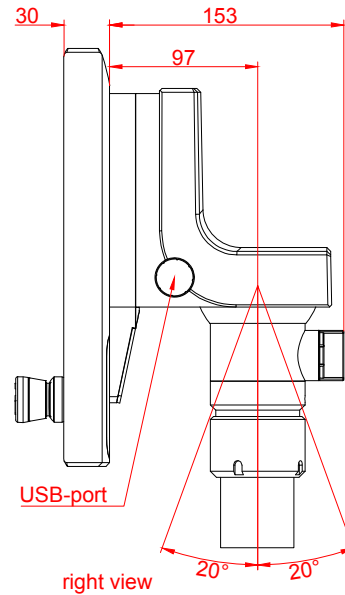
dimensions in mm



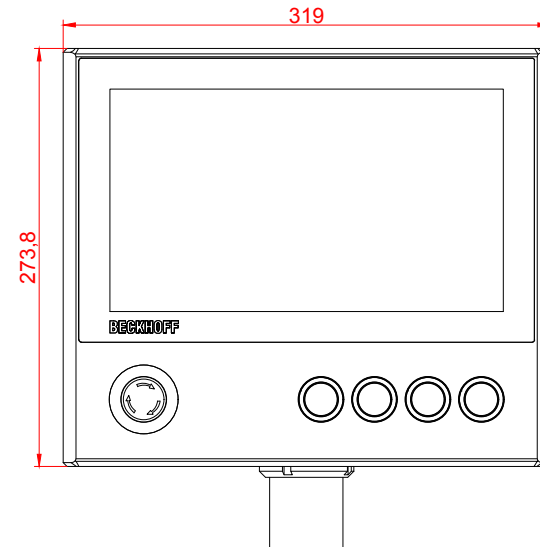
bottom view



rear view



right view



front view