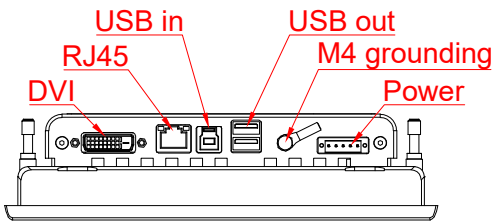
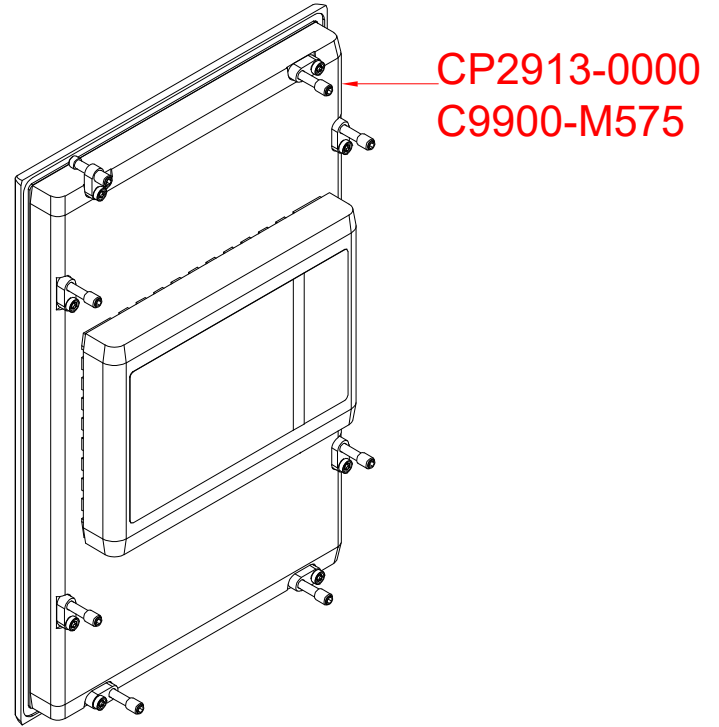


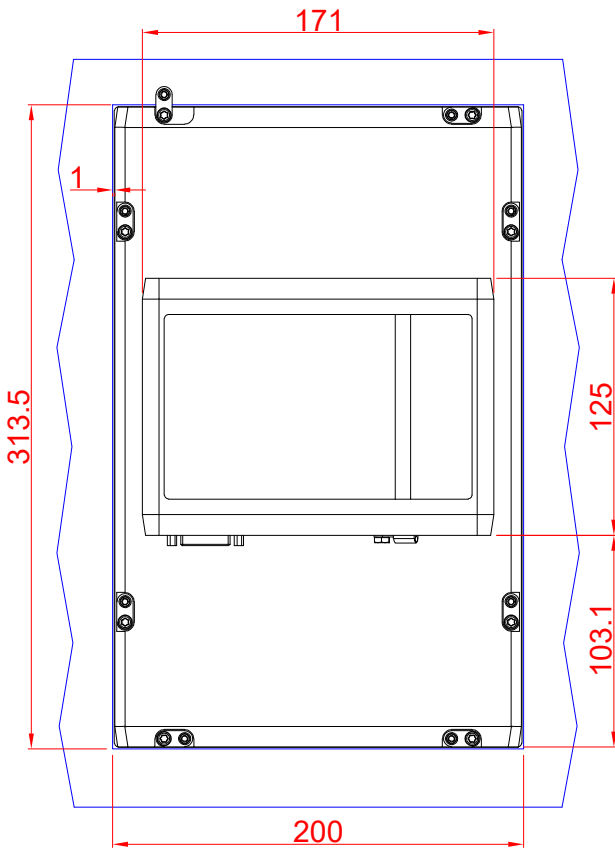
CP2913-0000
with
C9900-M575

main dimensions and
fixing points

dimensions in mm

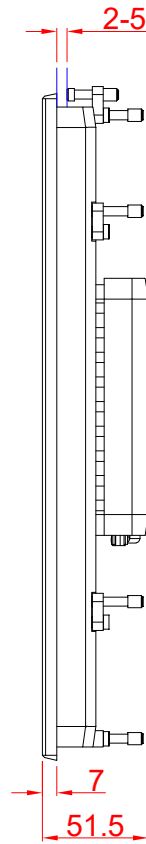


bottom view

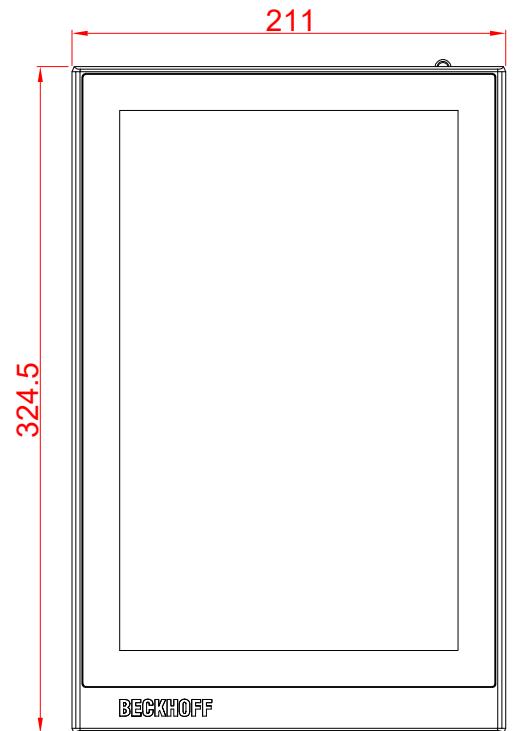


cut out dimensions: 313,5mm x 200mm

rear view



side view



front view