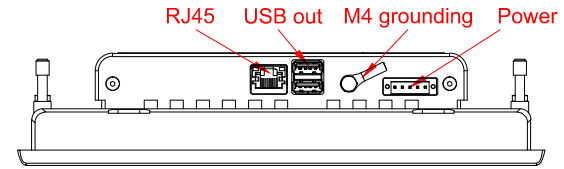
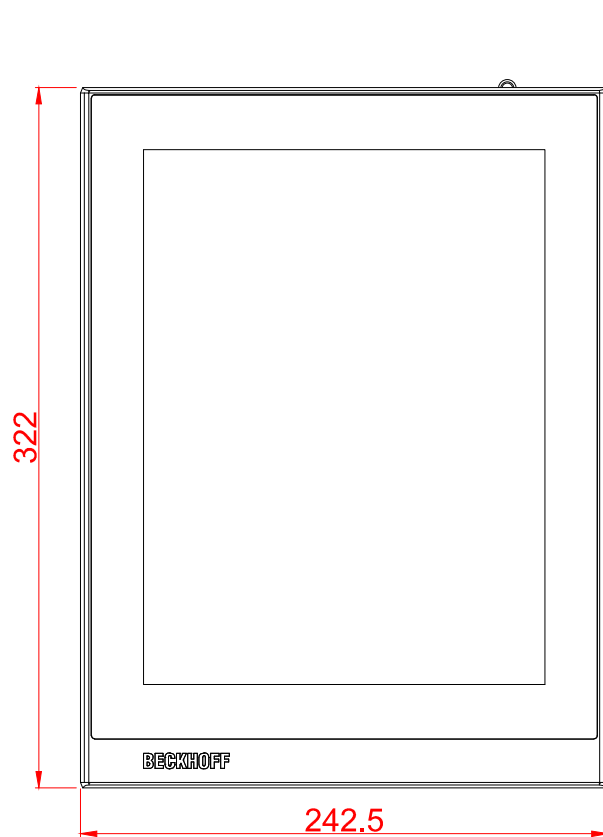


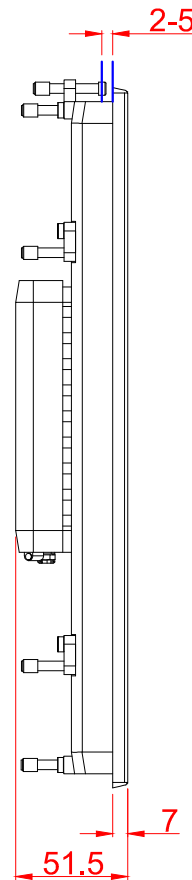
CP2912-0010-M575  
main dimensions and  
fixing points  
dimensions in mm



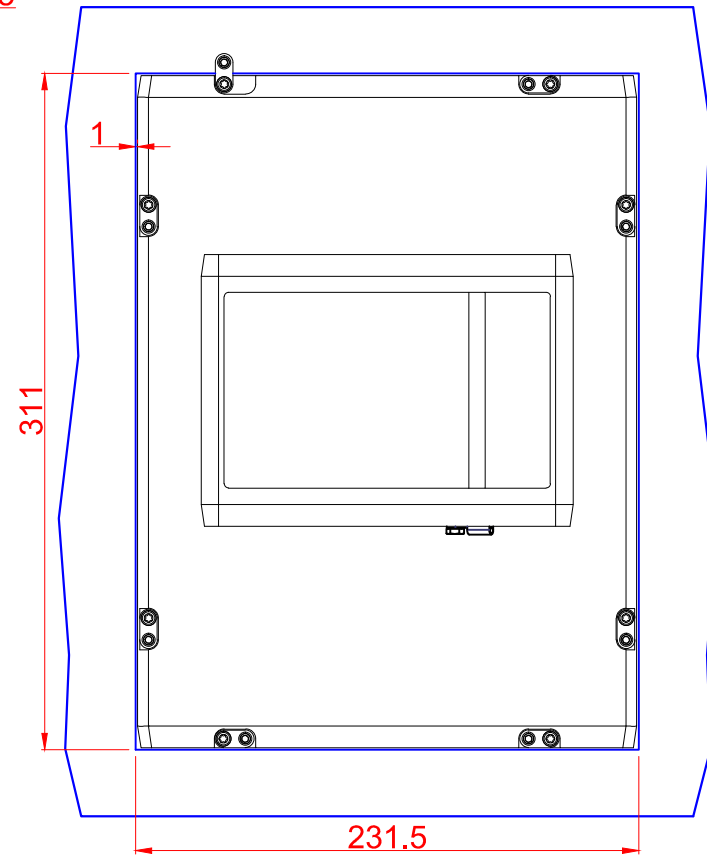
bottom view



front view



left view



cut out dimensions: 311mm x 231,5mm

rear view