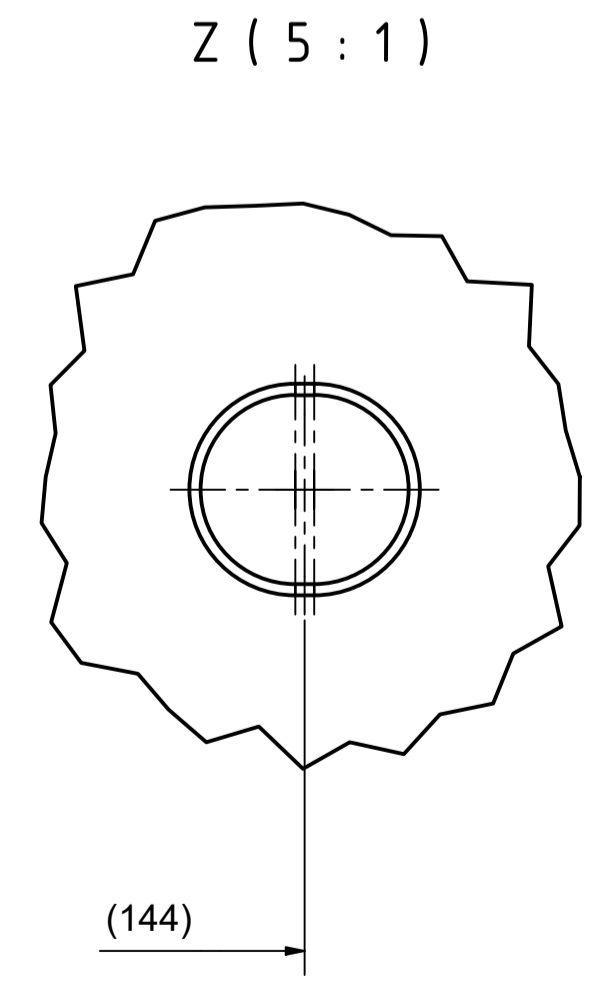
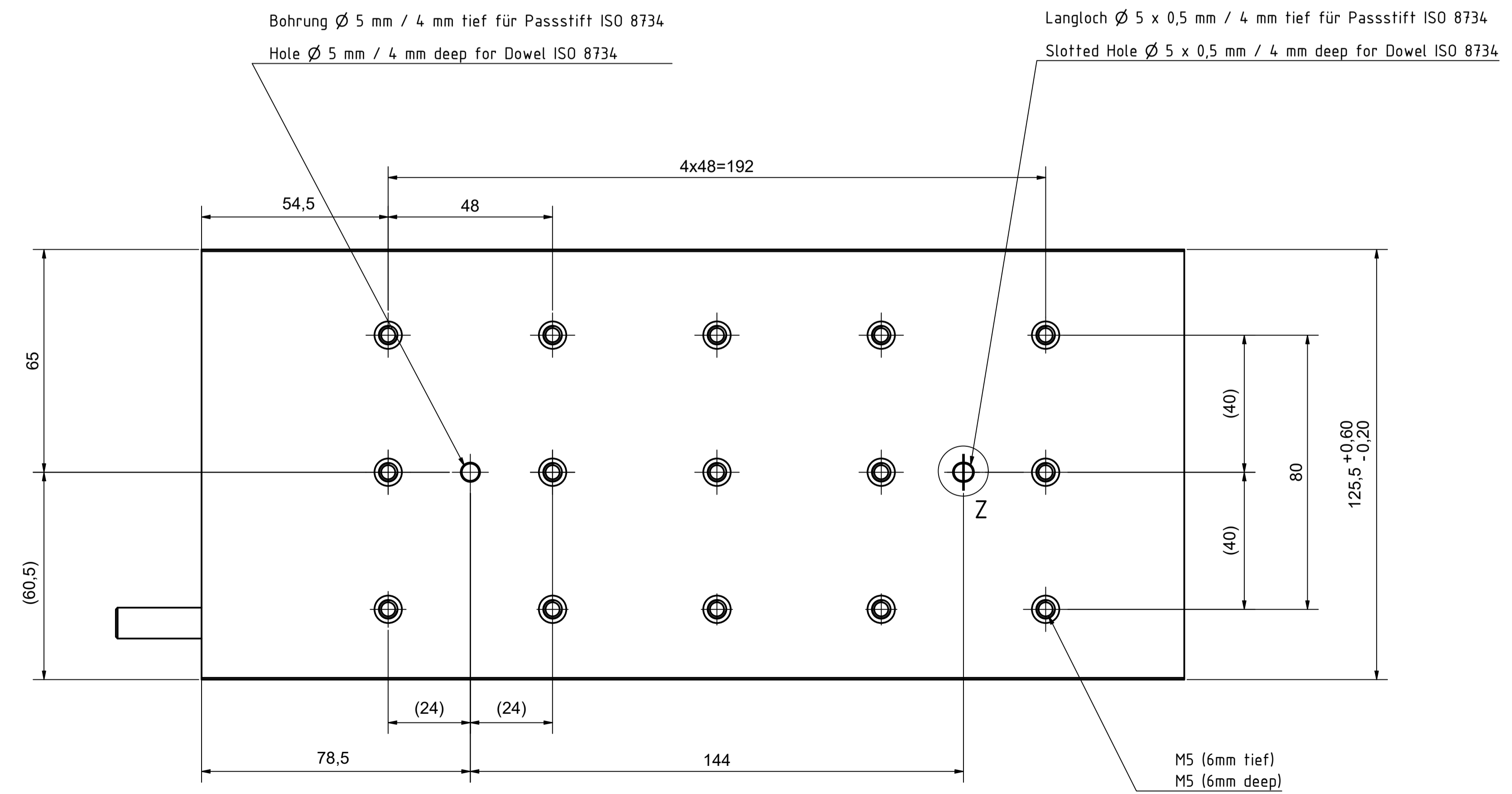
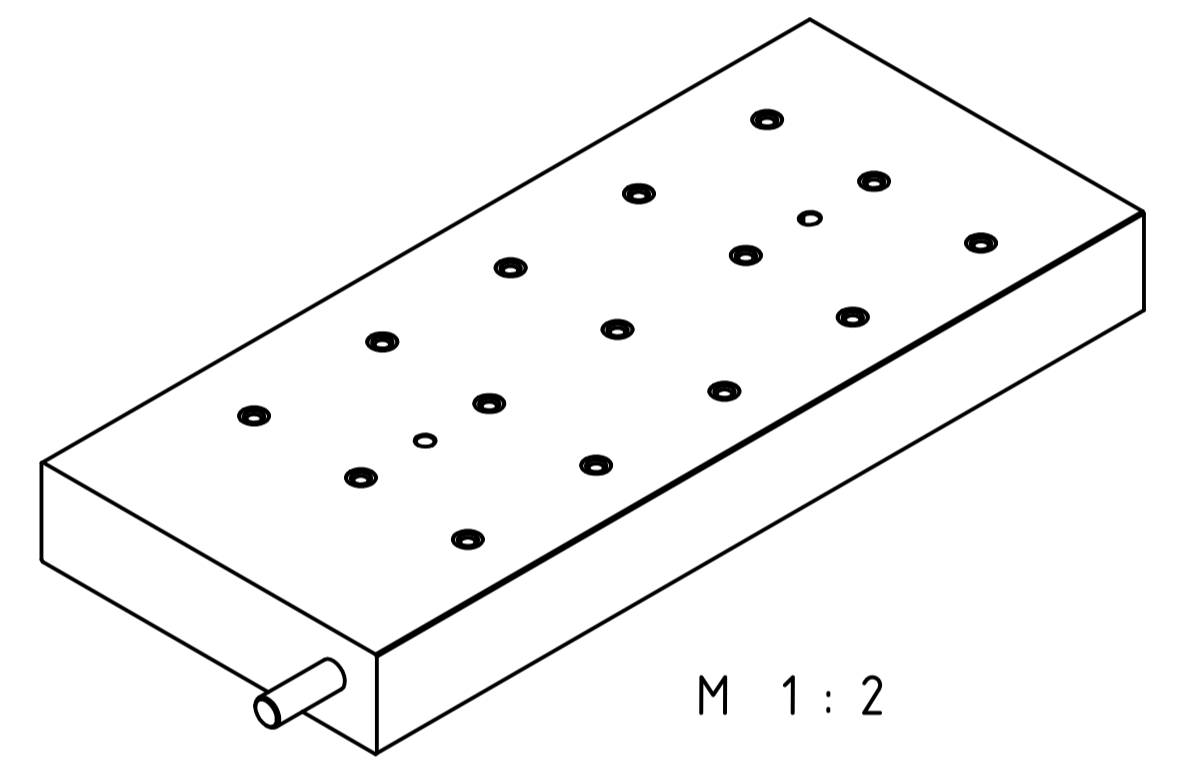
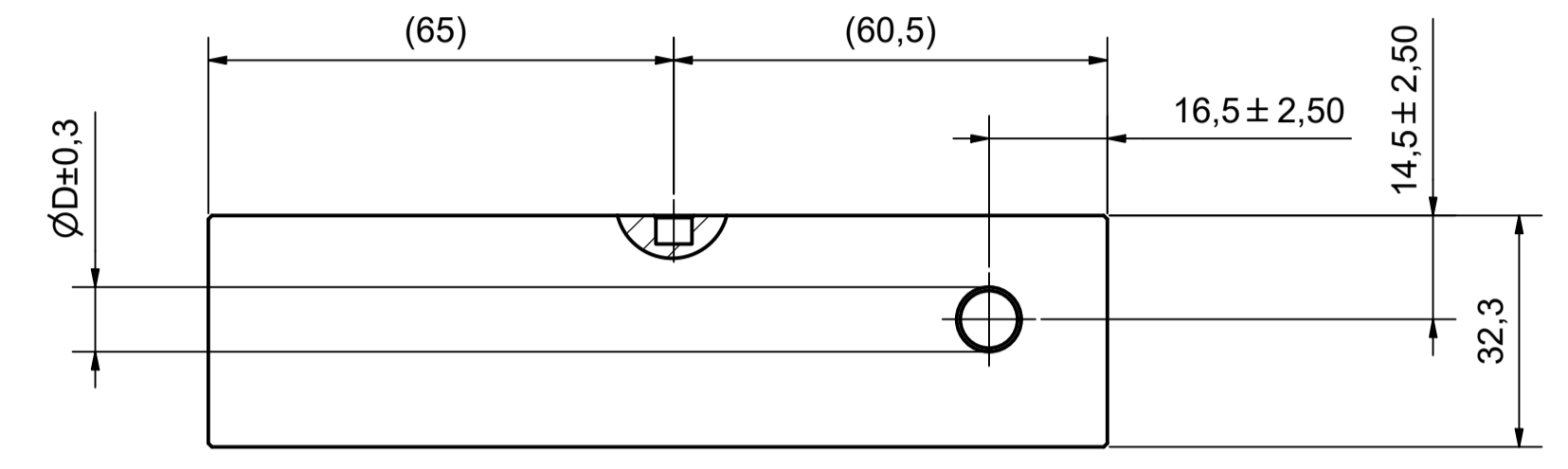
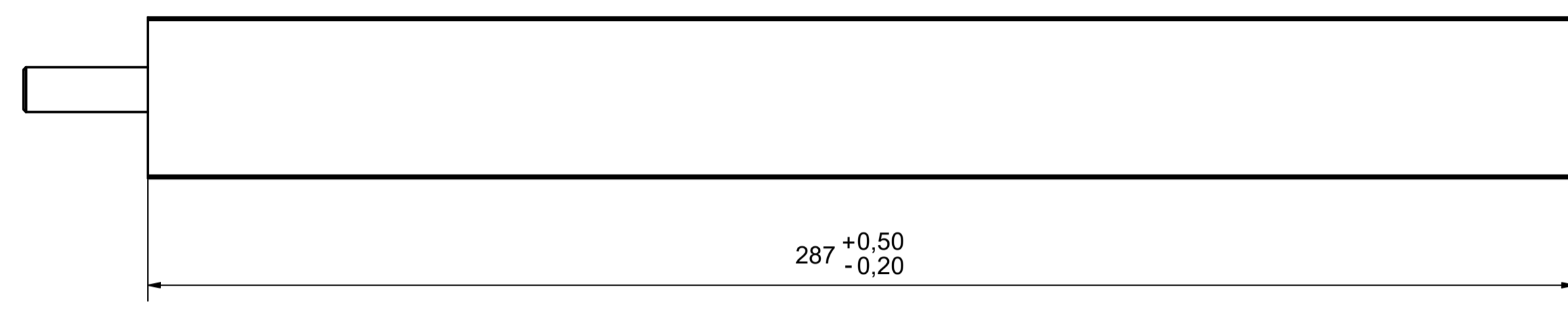


Kabeldurchmesser / Cable diameter	
Motor	ØD
AL8065-0Kxx	9,5 mm
AL8065-0Hxx	9,0 mm



Bezeichnung / description		Abteilungskennzeichen / department ID	
Linear Servomotor		Motion	
Linear servomotor		Dokumentnummer / document number	
AL8065-0xxx		5000000088	
ISO 128	Maßstab / scale	Blattgröße / sheet size	Blatt / sheet
mm	1:1	A1	1/1
Revision	Projektbezeichnung / project name		Datum / date
B			08.06.2021

Copyright reserved to ISO 15016
 This document is the property of Beckhoff Automation GmbH & Co. KG
 It is intended for internal use only. Reproduction or distribution without written permission of Beckhoff Automation GmbH & Co. KG
 is prohibited. The user is responsible for any damage caused by the use of this document.